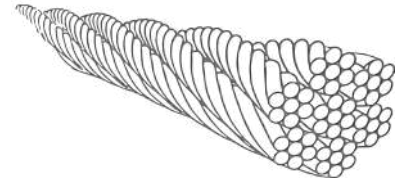
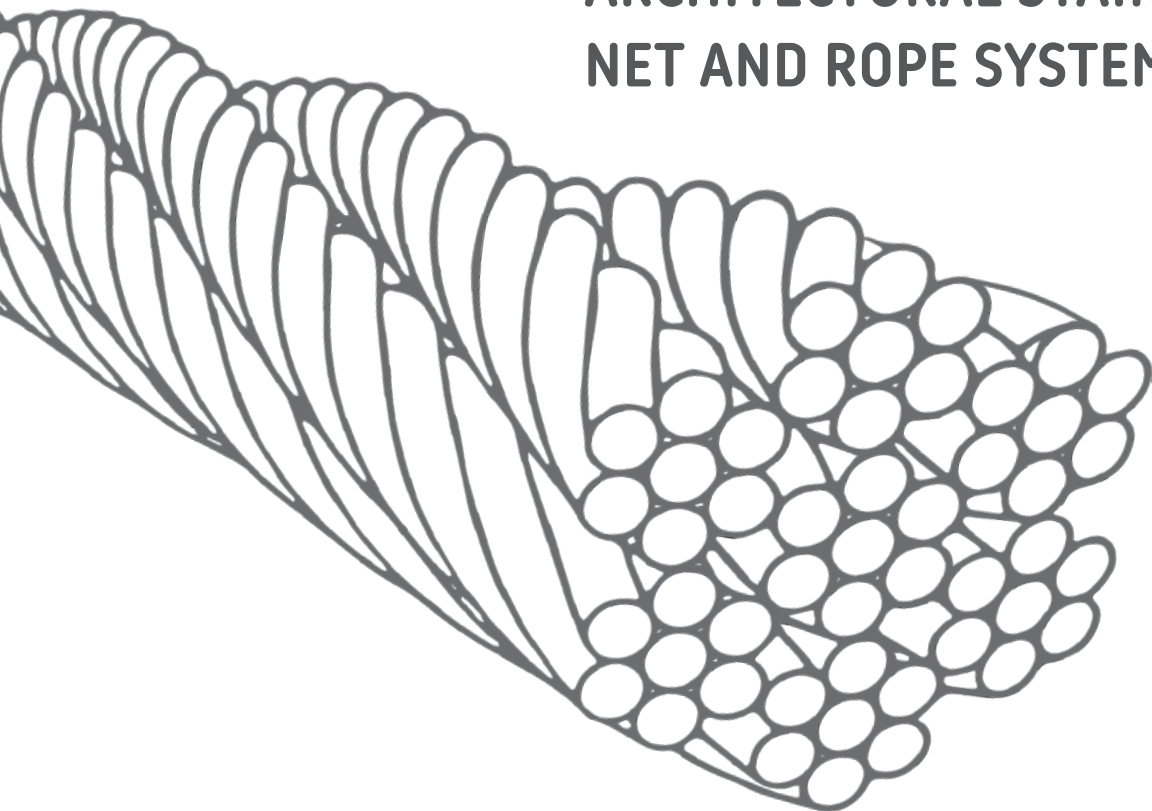
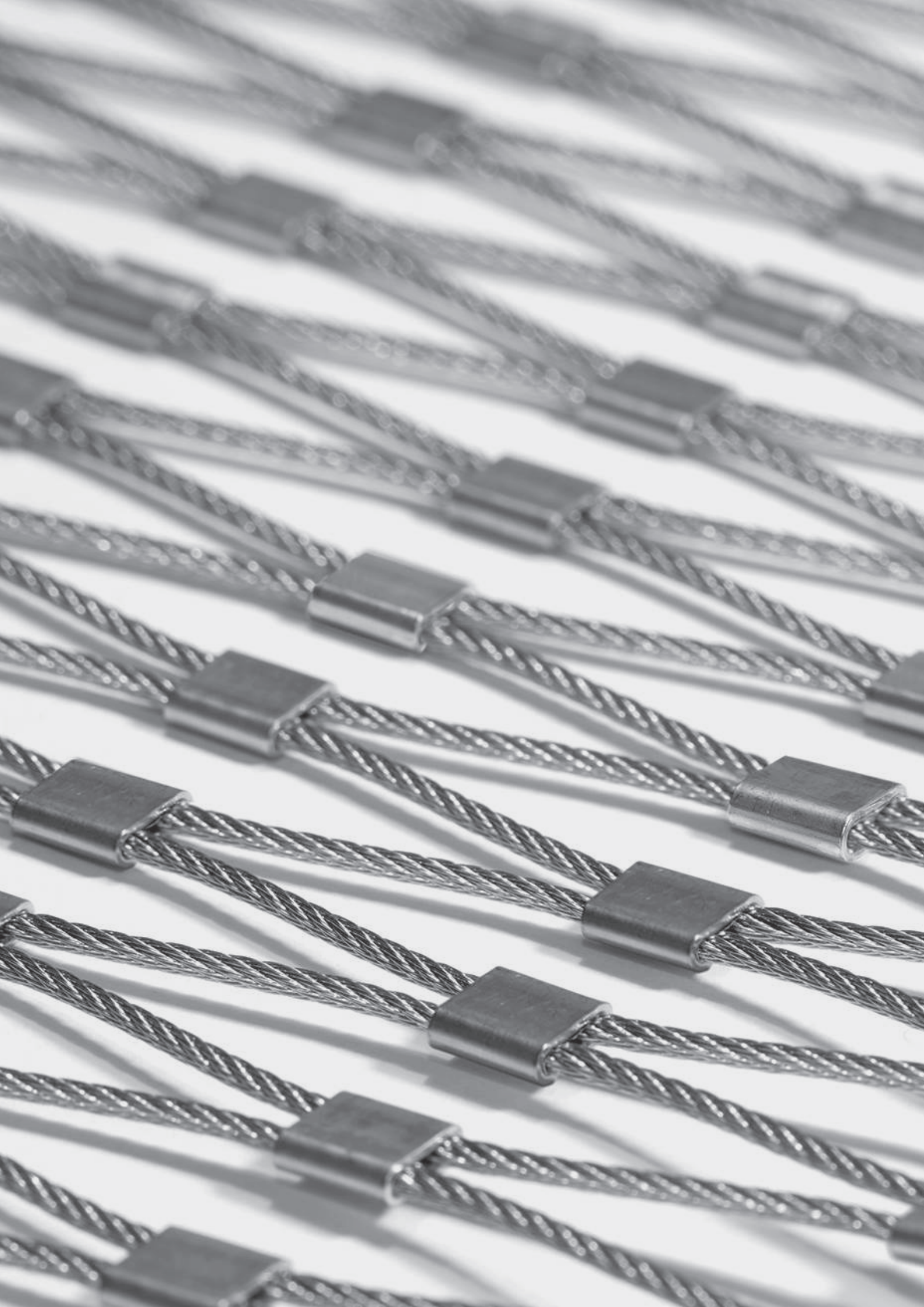


inoxnet



**ARCHITECTURAL STAINLESS STEEL
NET AND ROPE SYSTEMS**





CONTENT	PAGE
• Who we are ?	
Our Company	-4/5-
• What we do ?	
Consulting.....	-6-
Planning & Design	-6-
Static Calculations.....	-7-
Production.....	-7-
Installation.....	-8/9-
• Our Products	
I-NET® Stainless Steel Net Systems	-13-
- I-NET® Technical & Geometrical Details	-14-
- I-NET® Components	-15-
- I-NET® General Information	-16-
- I-NET® Comparison.....	-17-
- I-NET® Types Directions & Endings	-18/21-
- Border Ropes & Assembly Details	-22/23-
I-NET® Frame Systems	-24/33-
- I-NET® Frame Systems Technical Details	-28-
- Frame Holders	-28/33-
- Order Data Sheet	-34/35-
I-ROPE® Stainless Steel Rope Systems	-36/37-
- I-ROPE® Technical Details	-38-
- External Thread Fittings	-38/43-
- Internal Thread Fittings.....	-44-
- Forks	-45/47-
- Eyes	-48/49-
- Ending Accessories	-50/51-
- Accessories	-52/61-
- I-ROPE® Tension Systems.....	-62/67-
I-ROD® Tension Systems	-68/73-
GREENERY Systems	-74/75-
- Greenery Systems Designing & Planning	-76/77-
- I-NET® Greenery System	-78/73-
- System with Frame.....	-78/79-
- System with I-ROPE.....	-80/85-
- Greenery Accessories.....	-86/87-
- Greenery System Installation Examples	-88/89-
Installation Accessories and Equipments	
- Fixing components.....	-90/91-
- Tools and Equipments	-92-
• Characteristics Of Wire Ropes	
- Explanation & Application of Wire Ropes.....	-94/95-
- Technical Information about Wire Ropes	-96-
• Overview Of Stainless Steel	
- Material	-98-
- Corrosion	-100-
- Maintenance & Cleaning	-101-
• Technical Tips	
- Rope Forces & Tensioning.....	-102-
- Tightening & Loosening Description of Rope System	-102-
• Assembly Lengths	-103-
• Certificates	-104-
• Our Goals	-106-

- **Who we are ?**

inoxnet® is a young and dynamic company specializing in architectural stainless steel net and rope systems. Our mission is to deliver innovative, cost-effective, eco-friendly, and durable products of the highest quality. Stainless Steel Net and Rope Systems offer versatile solutions for a wide range of architectural projects, thanks to their flexibility, durability, high quality, and lightweight properties.

At inoxnet®, we are committed to being your solution partner, whether for small-scale individual projects or large, complex projects worldwide.

Our Company

inoxnet® has extensive experience in architectural applications of stainless steel net and rope systems. We offer solutions and services for a variety of architectural projects, including balustrades, safety nets, facades, greenery systems, decorative installations, and zoo enclosures.



What we do ?

inoxnet® offers comprehensive, end-to-end services-including consulting, design, planning, structural calculations, production, and installation-to clients worldwide who seek to transform their innovative ideas into reality.

Consulting

We provide consultancy to architects, design studios, and contractors, supporting them in achieving their design goals and meeting project requirements. Our consulting process begins with the initial architectural concept and continues through the planning stages to final implementation. We are always pleased to share our insights, whether through phone, email, or in person at our offices.

Planning & Design

The inoxnet® planning process includes:

- **Design and System Development**
- **Planning Support**
- **Administrative Planning**
- **Project Application for Ropes, Nets, and Steel Works**
- **Installation Planning**

inoxnet® services are always customer focused, with our specialists involved at every stage of the process, from start to finish. In addition to our standard products, we also offer custom-designed stainless steel net and rope solutions, tailored to meet the unique requirements of each project.



Static Calculations

inoxnet® provides structural static calculations for all types of stainless steel net and rope projects when required.

Our static analysis services include:

- **System Development**
- **Shaping of Stainless Steel Nets and Net Structures**
- **Sizing of Net and Rope Loads**
- **Calculation of Additional Costs**
- **Verifiable Structural Static Calculations**

Production

Once the production drawings are approved, they are forwarded to the production department, where manufacturing begins immediately according to these plans. Each net component is meticulously crafted to meet the specified dimensions, diamond orientation, and net ending features. I-ROPE® systems are also produced with precise attention to pin-to-pin measurements and pre-tension loads, as defined by the structural calculations.



Installation

- Self-Assembly by the customer,
- Installation training,
- Installation support,
- Installation supervision,
- Turn-key installation by inoxnet®.

Depending on customer preference, inoxnet® Stainless Steel Ropes and Net Systems can be installed on site by our experienced installation team.

Stainless, Ageless, Elegant, Durable, Solid & Transparent.

Istanbul 3.rd Airport I-ROPE® Installation

BEHIND EVERY INNOVATIVE PRODUCT

THERE IS A CREATIVE SOLUTION.

OUR PRODUCTS

I-NET® STAINLESS STEEL NET SYSTEMS

I-NET® is a lightweight, flexible, transparent, and durable material created by knitting high-quality stainless steel rope and ferrules. It's the ideal solution for architects and designers looking to bring their creative ideas to life. Thanks to its flexibility and ability to curve in multiple directions, I-NET® adapts to various geometric forms, making it suitable for large areas without additional support structures.

Available in different net widths and rope diameters, I-NET® is perfect for a wide range of applications, including railing infills, facades, and free-form zoo enclosures.

Key Features

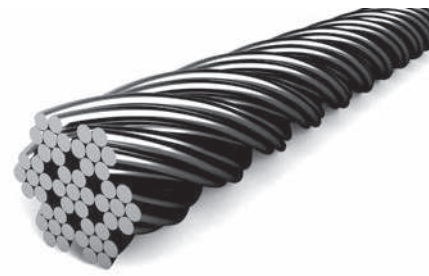
- Durability
- Transparency
- Lightweight

Common Application Areas for I-NET®

- Balustrades
- Safety Nets
- Facades
- Greenery
- Decorative Designs
- Zoo Enclosures

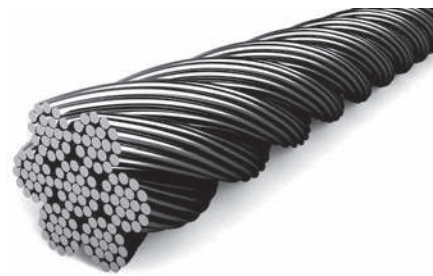
I-NET® TECHNICAL & GEOMETRICAL DETAILS

I-NET®
AISI 316 Stainless Steel Rope



Rope 7x7 for
1,5mm and 2mm

I-NET®
AISI 316 Stainless Steel Rope



Rope 7x19 for
3mm and 4mm

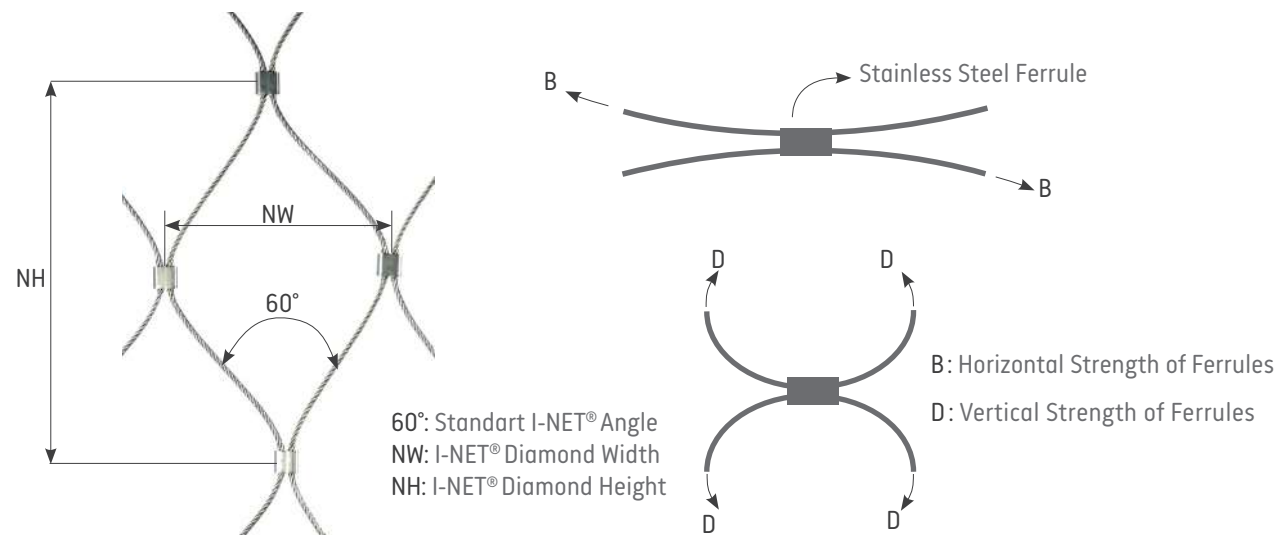
ROPES

Part Number	Rope (Ømm)	Material	Construction	F (kN)	MQ mm²	S (N/mm²)
IR-102-0150	1,5	AISI 316	7x7	1,79	0,97	1570
IR-102-0200	2	AISI 316	7x7	3,52	1,73	1570
IR-103-0300	3	AISI 316	7x19	6,89	3,73	1570
IR-103-0400	4	AISI 316	7x19	12,38	6,63	1570

F = Breaking load
MQ = Metallic cross section
S = Nominal strength of the individual wires

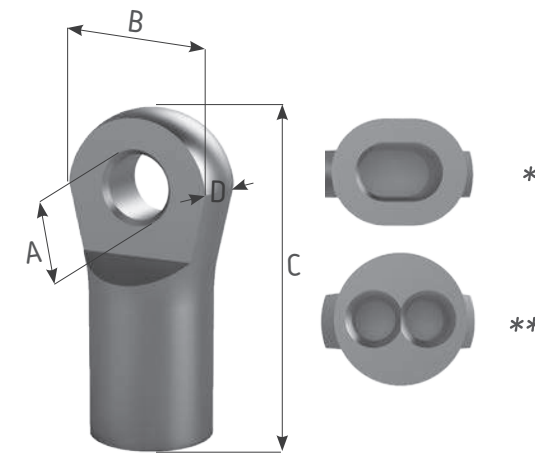
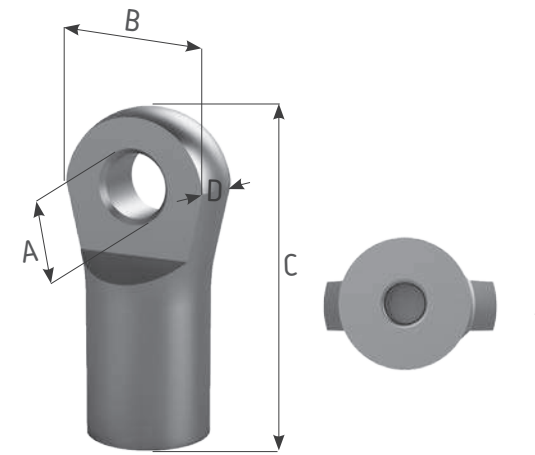
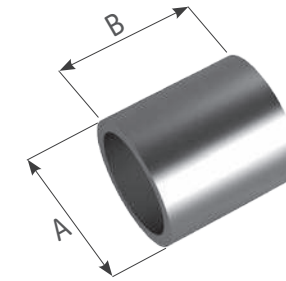
FERRULES

Part Number	Rope (Ømm)	Material	Node Strength B(kN)	Node Strength D(kN)	Diameter Ø (mm)	Length (mm)
IN-115-0150	1,5	AISI 316Ti	0,16	2,36	5	6,4
IN-115-0200	2	AISI 316Ti	0,42	3,81	6	7,8
IN-115-0300	3	AISI 316Ti	0,53	6,93	8	11



The standard diameters of rope used in I-NET® stainless steel nets are produced as 1.5 mm, 2 mm, 3 mm or 4 mm. Producing net width of 25 to 200mm (or larger) is possible depending on the rope diameter. The material grade of I-NET® is AISI316 (1.4401), AISI316L (1.4404), AISI316Ti (1.4571) and 2205Duplex (1.4462).

I-NET® Components



Single 1,5, 2 and 3mm



Double 1,5 and 2mm



Double 3mm

I-NET® FERRULE

Part Number	Rope (Ømm)	Dimensions in mm	
		A	B
IN-115-0150	1,5	5	6,4
IN-115-0200	2	6	7,8
IN-115-0300	3	8	11

Material AISI 316 L

I-NET® EYELET SINGLE

Part Number	Rope (Ømm)	Dimensions in mm			
		A	B	C	D
*IN-116-0150	1,5	3,1	7,8	15,9	3
*IN-116-0200	2	4,6	10,6	21	3
*IN-116-0300	3	6	14,4	31	5

Material AISI 316 L

I-NET® EYELET DOUBLE

Part Number	Rope (Ømm)	Dimensions in mm			
		A	B	C	D
**IN-117-0150	1,5	3,1	7,8	15,9	3
**IN-117-0200	2	4,6	10,6	21	3
***IN-117-0300	3	6	14,4	31	5

Material AISI 316 L

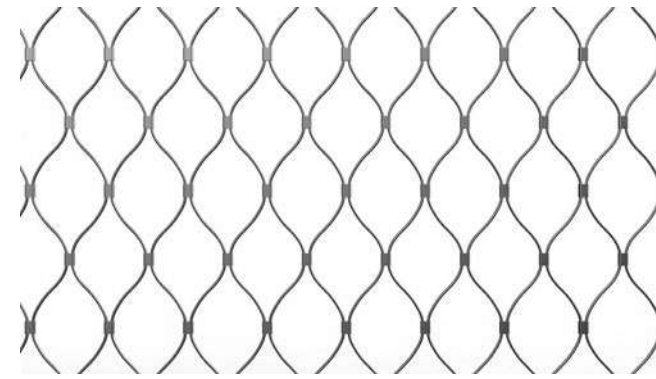
I-NET® General Information

Part Number	Rope Ø mm	NW X NH mm	Weight kg/m ²	Transparency %
IN-110-150-025	1,5	25 x 43	1,71	82,6
IN-110-150-030	1,5	30 x 52	1,31	85,9
IN-110-150-040	1,5	40 x 69	0,87	89,9
IN-110-150-050	1,5	50 x 87	0,64	92,2
IN-110-150-060	1,5	60 x 104	0,5	93,7
IN-110-150-070	1,5	70 x 121	0,41	94,6
IN-110-150-080	1,5	80 x 139	0,35	95,3
IN-110-150-100	1,5	100 x 173	0,27	96,3
IN-110-150-120	1,5	120 x 208	0,22	97
IN-110-150-140	1,5	140 x 242	0,18	97,5
IN-110-150-160	1,5	160 x 277	0,15	97,8
IN-110-150-180	1,5	180 x 312	0,14	98
IN-110-150-200	1,5	200 x 346	0,12	98,9
IN-110-200-040	2	40 x 69	1,45	86,1
IN-110-200-050	2	50 x 87	1,07	89,3
IN-110-200-060	2	60 x 104	0,85	91,4
IN-110-200-070	2	70 x 121	0,7	92,6
IN-110-200-080	2	80 x 139	0,6	93,6
IN-110-200-100	2	100 x 173	0,45	95
IN-110-200-120	2	120 x 208	0,36	95,9
IN-110-200-140	2	140 x 242	0,3	96,6
IN-110-200-160	2	160 x 277	0,26	97,1
IN-110-200-180	2	180 x 312	0,23	97,3
IN-110-200-200	2	200 x 346	0,2	97,8
IN-110-300-050	3	50 x 87	2,48	85
IN-110-300-060	3	60 x 104	1,94	87,1
IN-110-300-070	3	70 x 121	1,59	89
IN-110-300-080	3	80 x 139	1,34	90,5
IN-110-300-100	3	100 x 173	1,01	92,6
IN-110-300-120	3	120 x 208	0,81	93,9
IN-110-300-140	3	140 x 242	0,68	94,9
IN-110-300-160	3	160 x 277	0,58	95,6
IN-110-300-180	3	180 x 312	0,51	95,9
IN-110-300-200	3	200 x 346	0,45	95

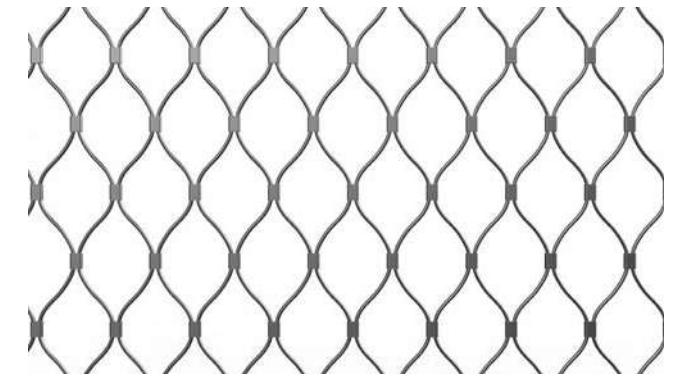
Part Number : IN - 000 - 000 - 000

- I-NET® Width
- Rope Diameter
- Code No
- I-NET®

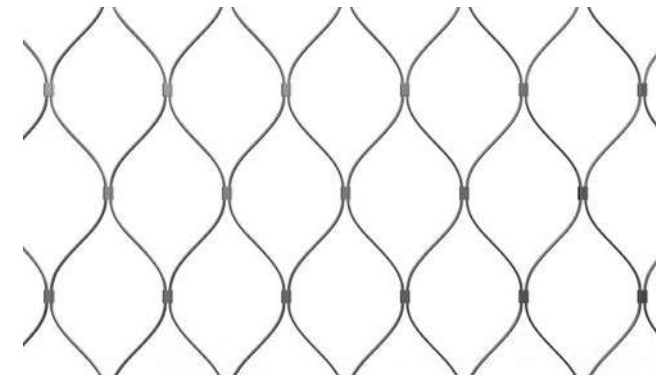
I-NET® Comparison



I-NET® 40mm with 1,5mm rope diameter



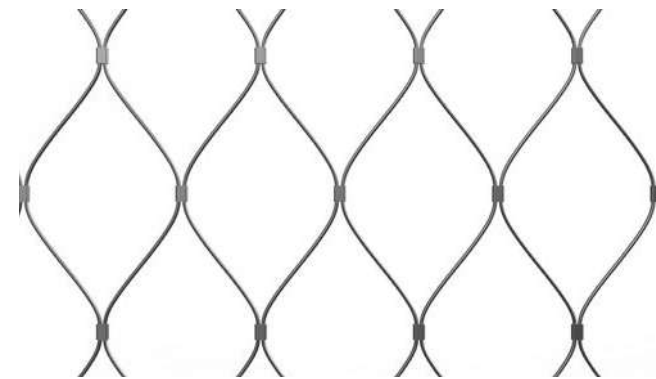
I-NET® 40mm with 2mm rope diameter



I-NET® 60mm with 1,5mm rope diameter



I-NET® 60mm with 2mm rope diameter



I-NET® 80mm with 2mm rope diameter



I-NET® 80mm with 3mm rope diameter

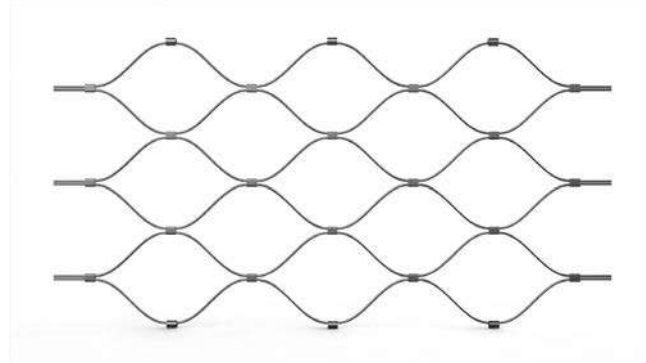


I-NET® Types / Directions and Endings

Horizontal Diamond I-NET® Endings

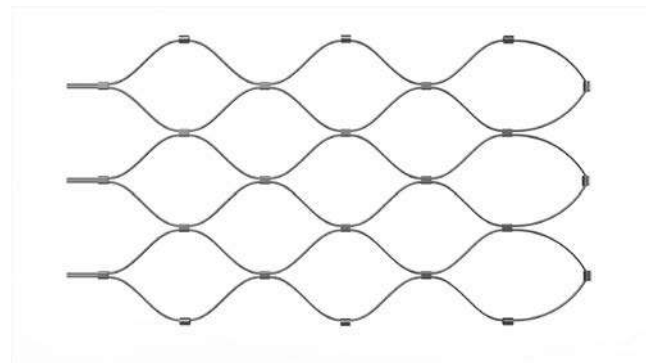
The horizontal diamond net direction is commonly used in balustrades, greenery, and decorative projects. It is often preferred for projects requiring long, continuous nets as an economical solution. The possible finishing options for I-NET® in a horizontal diamond direction are as follows:

H1



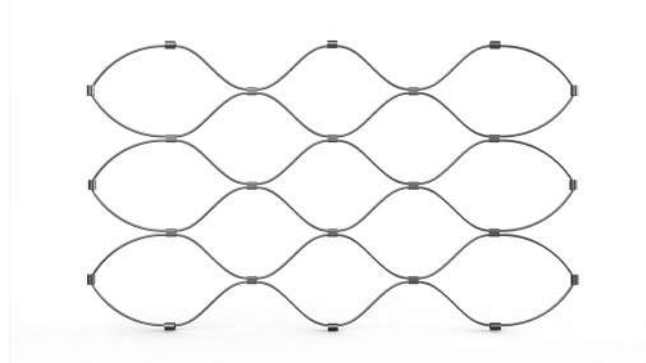
Both sides open cable endings.

H2



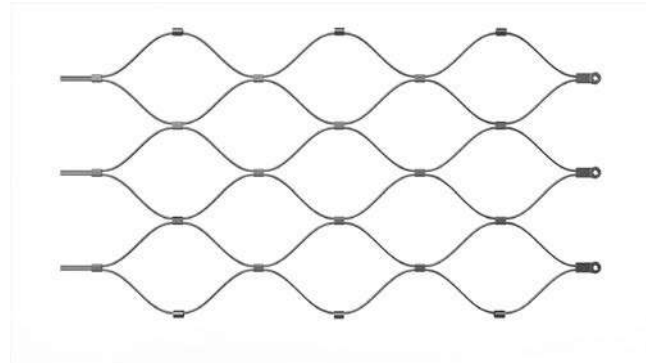
One side open cables, other side closed with loose ferrules.

H3



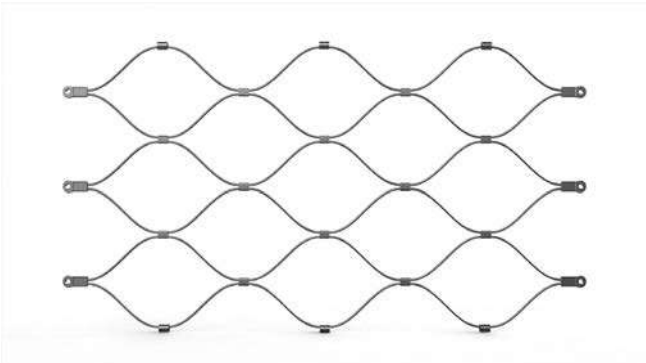
Both sides closed with loose ferrules.

H4



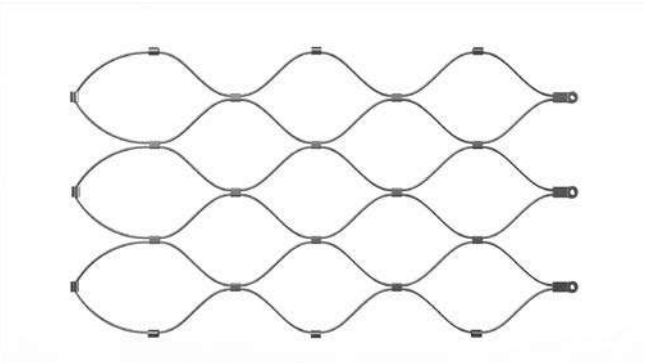
One side open cables, other side closed with eyelets.

H5



Both sides closed with eyelets.

H6



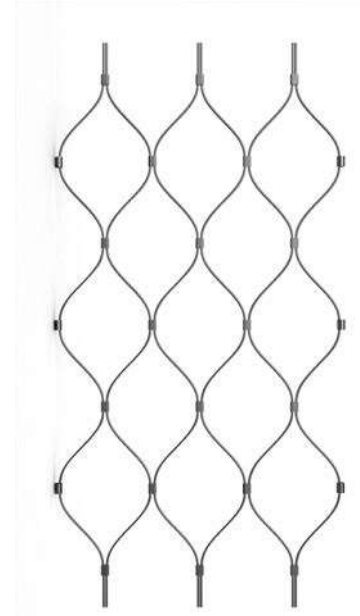
One side closed with loose ferrules, other side closed with eyelets.

I-NET® Types / Directions and Endings

Vertical Diamond I-NET® Endings

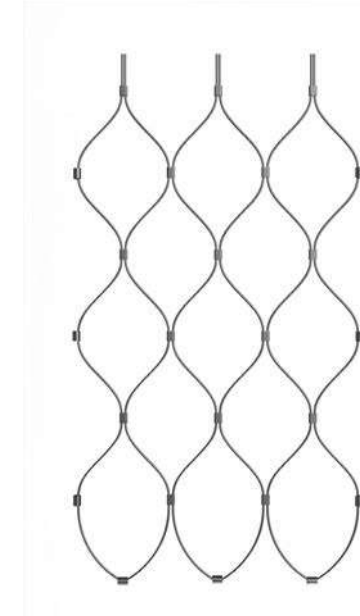
The vertical diamond net direction is mostly preferred for safety-focused applications and facade projects. The possible finishing options for I-NET® in a vertical diamond direction are as follows:

V1



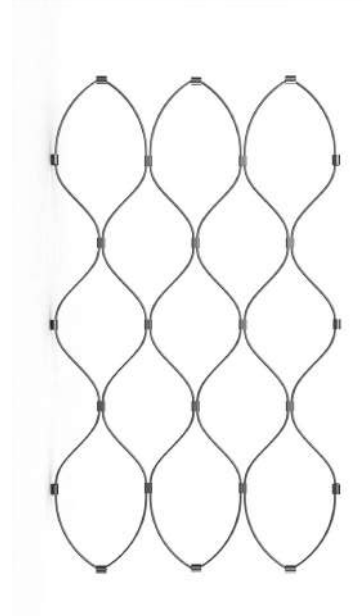
Both sides open cable endings.

V2



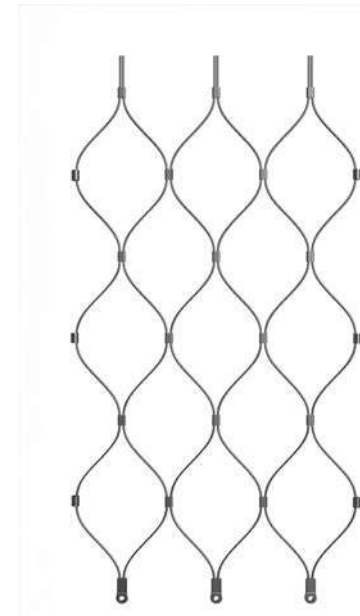
One side open cables, other side closed with loose ferrules.

V3



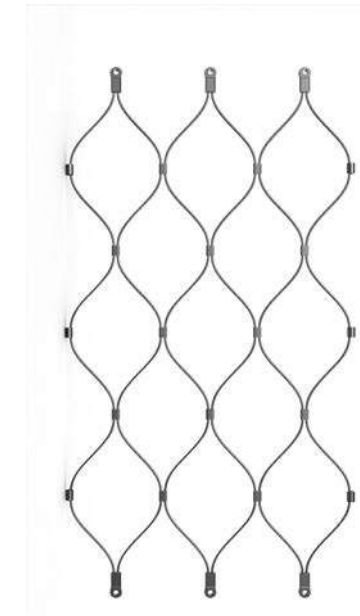
Both sides closed with loose ferrules.

V4



One side open cables, other side closed with eyelet.

V5



Both sides closed with eyelet.

V6



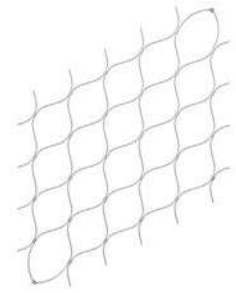
One side closed with loose ferrules other side closed with eyelets.

I-NET® Types / Directions and Endings

Horizontal Diamond Parallelograms I-NET® Endings

Parallelogram I-NET® panel requirements are most commonly seen in staircase projects. The planning and production processes are meticulously carried out to meet exact dimensions. The possible finishing options for horizontal diamond-directioned parallelogram I-NET® panels are as follows:

PH1



All sides open cable net endings.

PH2



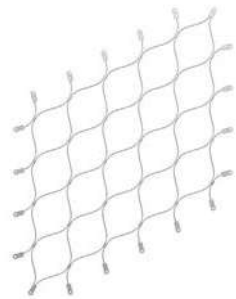
Both sides closed with loose ferrules, other sides open cable endings.

PH3



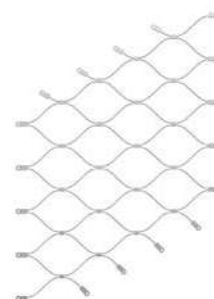
Both sides closed with loose ferrules and open cables, other sides closed with loose ferrules.

PH4



All net sides closed with eyelets.

PH5



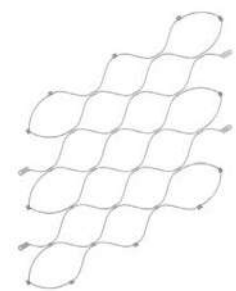
All net sides closed with eyelets.

PH6



Both sides closed with eyelets, both sides closed with loose ferrules

PH7



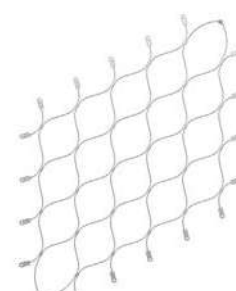
Both sides closed with loose ferrules and eyelets, other sides closed with loose ferrules.

PH8



Both sides closed with loose ferrules, other sides closed with eyelets.

PH9



All net sides closed with eyelets.

I-NET® Types / Directions and Endings

Vertical Diamond Parallelograms I-NET® Endings

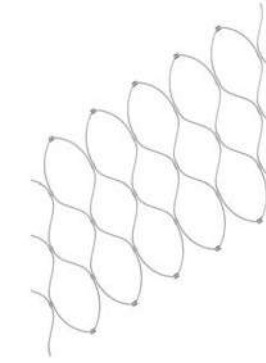
Parallelogram I-NET® panel requirements are most commonly seen in staircase projects. The planning and production processes are precisely executed to meet exact dimensions. The possible finishing options for vertical diamond-directioned parallelogram I-NET® panels are as follows:

PV1



Both sides closed with loose ferrules, other sides closed with loose ferrules and open cables.

PV2



Both sides open cables, other sides closed with loose ferrules.

PV3



Both sides closed with loose ferrules, other sides closed with eyelets.

PV4



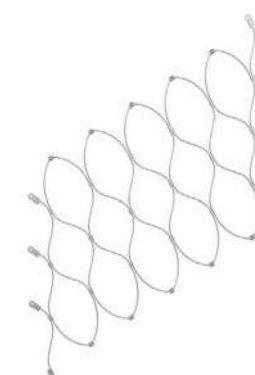
All net sides closed with eyelets.

PV5



Both sides closed with loose ferrules, other sides closed with loose ferrules and eyelets.

PV6

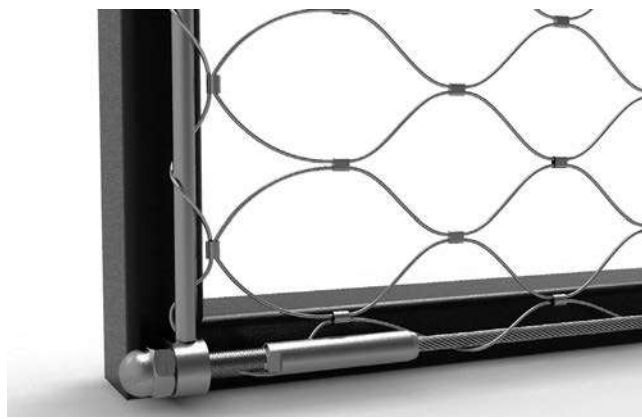


Both sides closed with eyelets, other sides closed with loose ferrules.

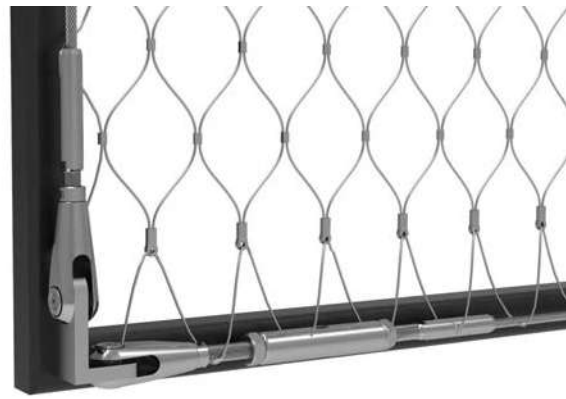
Border Ropes and Assembly Details



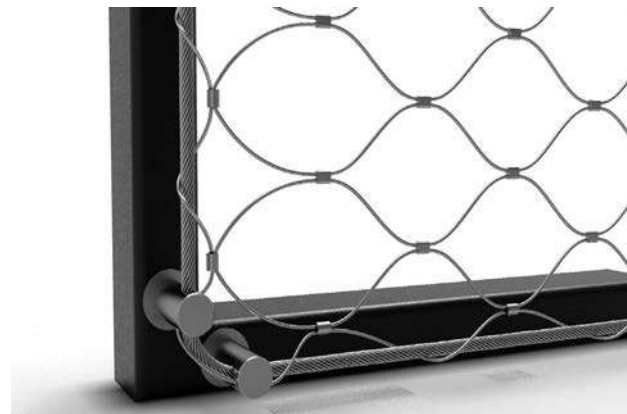
1. Corner solution, Eye with internal thread swaged fitting



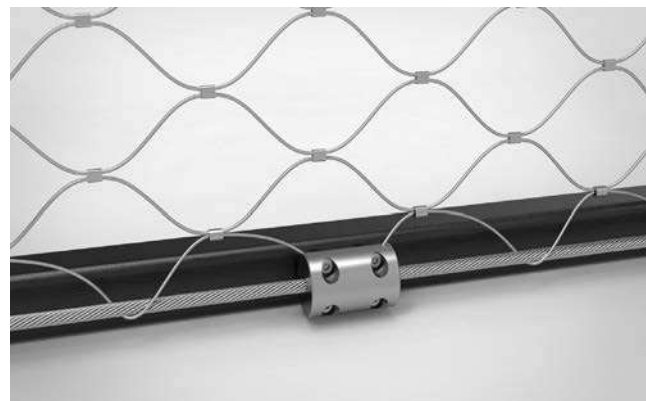
2. Corner solution with external thread fitting and rod fixation



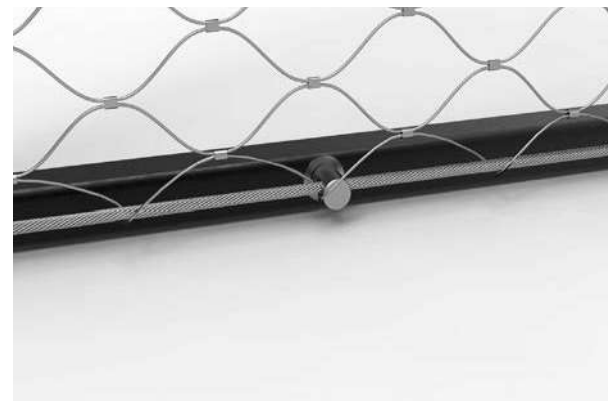
3. Corner connection bracket fixation with fork and swaged fitting



4. Corner solution with rope holder



5. Border cable guidance with clamp ring with two parts



6. Border cable guidance with rope holder

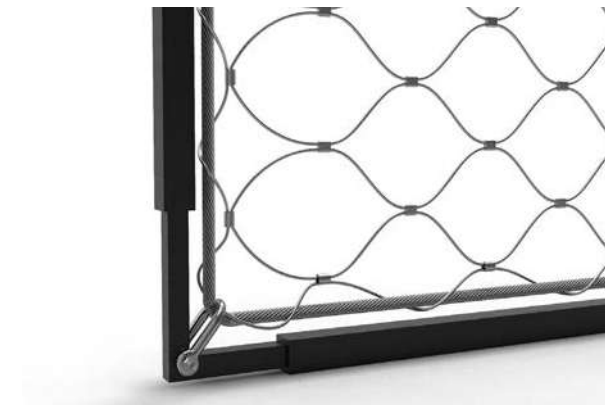
Border Ropes and Assembly Details



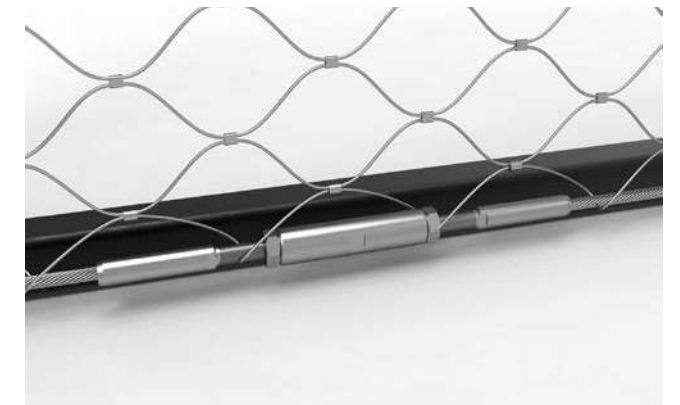
7. Corner solution, with fork-head rope guiding



8. Corner solution with eye bolt



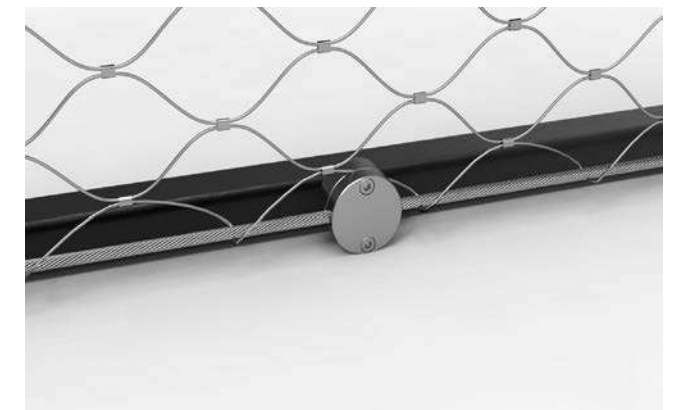
9. Corner solution with D-Form Shackle



10. Turnbuckle with both sides external thread fitting



11. Border cable guidance with connection bracket



12. Border cable guidance with screw on cross clamp



I-NET® FRAME SYSTEMS

Preassembled in our factory, I-NET® frames offer the opportunity for fast and easy on-site installation, combining elegance with high performance. These frames are highly customizable to meet the specific needs and preferences of our clients.

They can be supplied in a wide range of profiles, sizes, geometries, and surface finishes, ensuring flexibility for various project requirements.

I-NET® Frame Systems serve a variety of purposes, including balustrade infills, fall protection, interior decoration, and support for greenery applications.

In addition to standard options, inox-net® also offers custom manufacturing solutions tailored to specific project requirements.

I-NET® FRAME SYSTEMS

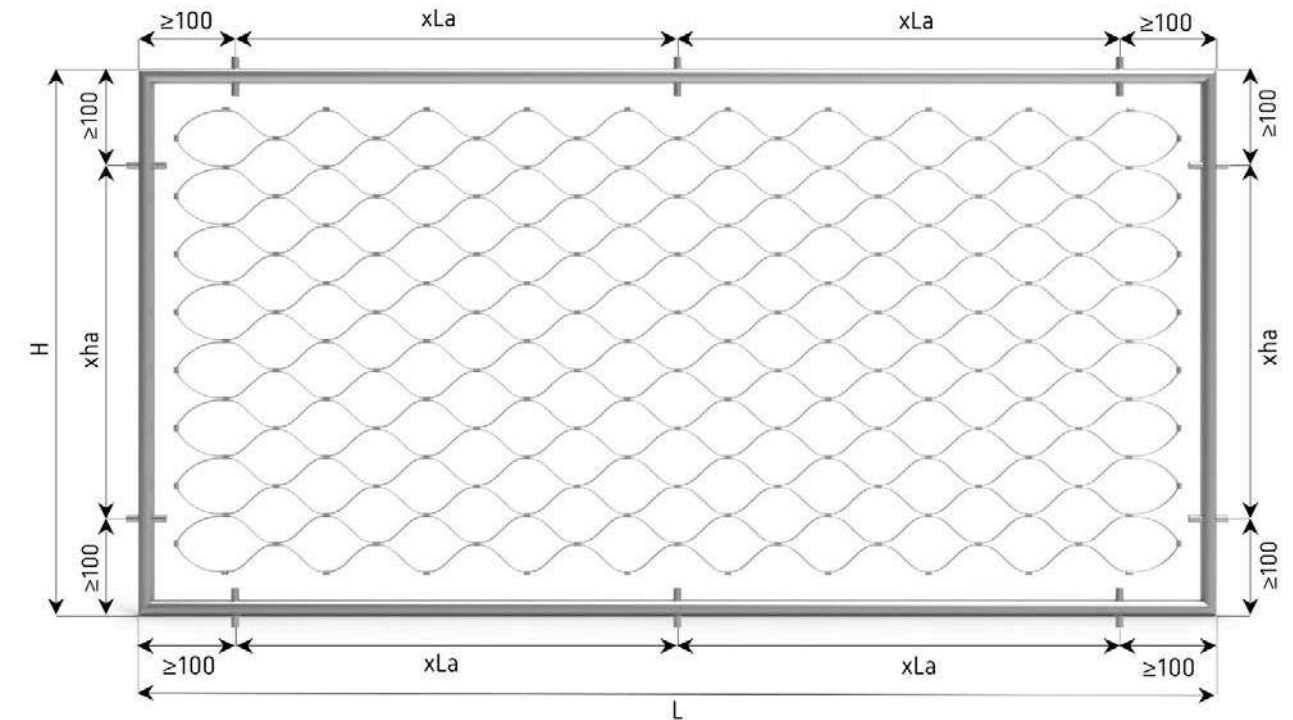
The I-NET® cable mesh frame systems are fully customizable, offering a variety of profile options, including different sizes of round tubes, square profiles, and rectangular or round slotted tubes.

The mesh diamonds can be oriented either vertically or horizontally, providing flexibility for diverse applications. Frames are available in standard AISI 316 stainless steel, with the option to produce them in AISI 304, 2205 duplex, or galvanized steel to meet specific project requirements.

While the standard surface finish is satin, frames can also be mirror-polished for enhanced aesthetics. Combining frames, which can be painted in any RAL color, with natural or black oxide I-NET® mesh offers a wide range of design possibilities. Slotted frames can be further customized with powder coating or wet painting, with the I-NET® cable mesh already installed.



Round Frame Rectangular Frame Slotted Round Frame
*hidden installation ropes Slotted Rectangular Frame
*hidden installation ropes



I-NET® Frame Systems Technical Details

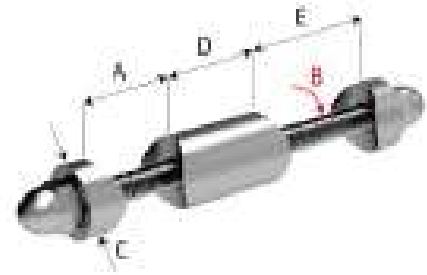
Part Number	Frame Type	Frame Profile (mm)	Frame Geometry	Frame Material
IN-F-0021-020	Round Frame	Ø21,3x2	All frame geometries	AISI316
IN-F-0026-020	Round Frame	Ø26,9x2	All frame geometries	AISI316
IN-F-0033-026	Round Frame	Ø33,7x2,6	All frame geometries	AISI316
IN-F-0042-026	Round Frame	Ø42,4x2,6	All frame geometries	AISI316
IN-F-2020-015	Rectangular Frame	20x20x1,5	Rectangular and Parallelogram	AISI316
IN-F-2525-015	Rectangular Frame	25x25x1,5	Rectangular and Parallelogram	AISI316
IN-F-3030-015	Rectangular Frame	30x30x1,5	Rectangular and Parallelogram	AISI316
IN-SF-0026-015	Slotted Round Frame	Ø26,9x1,5	Rectangular and Parallelogram	AISI316
IN-SF-3020-015	Slotted Rectangular Frame	30x20x1,5	Rectangular and Parallelogram	AISI316



Frame Dimensions (mm)		Frame Holder Axles		Support Bar	I-NET®	I-NET® Rope	I-NET® Width (mm)	
min.-max. Height	min.-max. Length	min.-max. xha	min.-max. xLa	Dia (mm)	Direction	Dia (mm)	from	to
600 - ∞	600 - ∞	400-1200	400-1200	12	Horizontal and Vertical	1,5	25	80
						2	40	100
		400-1400	400-1400	12	Horizontal and Vertical	1,5	25	80
						2	40	100
		400-1500	400-1500	16	Horizontal and Vertical	1,5	25	80
						2	40	100
		400-1600	400-1600	16	Horizontal and Vertical	1,5	25	80
						2	40	100
		400-1200	400-1200	12	Horizontal and Vertical	1,5	25	80
						2	40	100
		400-1400	400-1400	12	Horizontal and Vertical	1,5	25	80
						2	40	100
400-1500	400-1500	16	Horizontal and Vertical	1,5	25	80		
				2	40	100		
750-1600	750-1600	400-1200	400-1200	12	Horizontal and Vertical	1,5	30	80
						2	40	100
750-1600	750-1600	400-1200	400-1200	12	Horizontal and Vertical	1,5	30	80
						2	40	100

FRAME HOLDERS

Round Frame Holders / Type 1

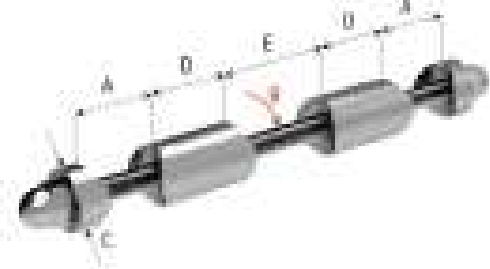


ROUND FRAME HOLDER TYPE 1 / FOR ROUND POSTS / SINGLE SIDE

Part Number	Dimensions in mm				
	A	B	C	D	E
IN-FH1-0021-033-01	Ø21,3	M6	16	25	Ø33,7
IN-FH1-0021-042-01	Ø21,3	M6	16	25	Ø42,4
IN-FH1-0026-033-01	Ø26,9	M6	16	25	Ø33,7
IN-FH1-0026-042-01	Ø26,9	M6	16	25	Ø42,4
IN-FH1-0033-033-01	Ø33,7	M8	20	25	Ø33,7
IN-FH1-0033-042-01	Ø33,7	M8	20	25	Ø42,4
IN-FH1-0042-042-01	Ø42,4	M8	20	25	Ø42,4

Material AISI316L

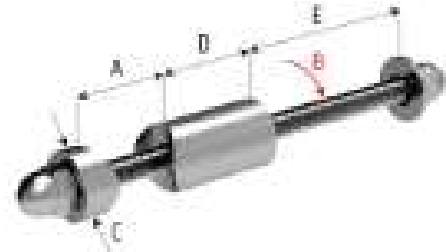
ROUND FRAME HOLDER TYPE 1 / FOR ROUND POSTS / DOUBLE SIDE



Part Number	Dimensions in mm				
	A	B	C	D	E
IN-FH1-0021-033-02	Ø21,3	M6	16	25	Ø33,7
IN-FH1-0021-042-02	Ø21,3	M6	16	25	Ø42,4
IN-FH1-0026-033-02	Ø26,9	M6	16	25	Ø33,7
IN-FH1-0026-042-02	Ø26,9	M6	16	25	Ø42,4
IN-FH1-0033-033-02	Ø33,7	M8	20	25	Ø33,7
IN-FH1-0033-042-02	Ø33,7	M8	20	25	Ø42,4
IN-FH1-0042-042-02	Ø42,4	M8	20	25	Ø42,4

Material AISI316L

ROUND FRAME HOLDER TYPE 1 / FOR FLAT POSTS / SINGLE SIDE

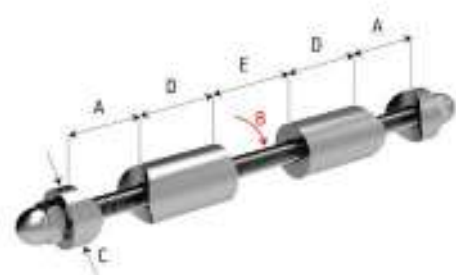


Part Number	Dimensions in mm				
	A	B	C	D	E
IN-FH1-0021-000-01	Ø21,3	M6	16	25	variable
IN-FH1-0026-000-01	Ø26,9	M6	16	25	variable
IN-FH1-0033-000-01	Ø33,7	M8	20	25	variable
IN-FH1-0042-000-01	Ø42,4	M8	20	25	variable

Material AISI316L

Dimension E is variable from 5mm to 50mm posts.

ROUND FRAME HOLDER TYPE 1 / FOR FLAT POSTS / DOUBLE SIDE



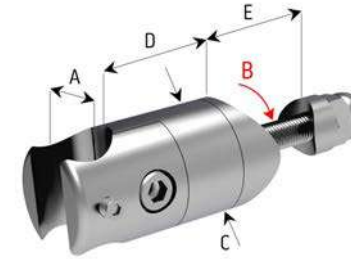
Part Number	Dimensions in mm				
	A	B	C	D	E
IN-FH1-0021-000-02	Ø21,3	M6	16	25	variable
IN-FH1-0026-000-02	Ø26,9	M6	16	25	variable
IN-FH1-0033-000-02	Ø33,7	M8	20	25	variable
IN-FH1-0042-000-02	Ø42,4	M8	20	25	variable

Material AISI316L

Dimension E is variable from 5mm to 50mm posts.

FRAME HOLDERS

Round Frame Holders / Type 2

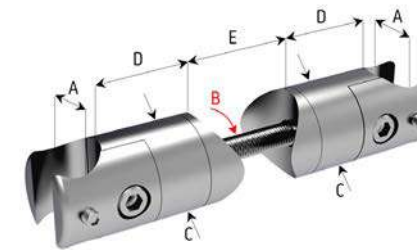


ROUND FRAME HOLDER TYPE 2 / FOR ROUND POSTS / SINGLE SIDE

Part Number	Dimensions in mm				
	A	B	C	D	E
IN-FH2-0021-033-01	Ø21,3	M8	30	25+2	Ø33,7
IN-FH2-0021-042-01	Ø21,3	M8	30	25+2	Ø42,4
IN-FH2-0026-033-01	Ø26,9	M8	35	25+2	Ø33,7
IN-FH2-0026-042-01	Ø26,9	M8	35	25+2	Ø42,4

Material AISI316L

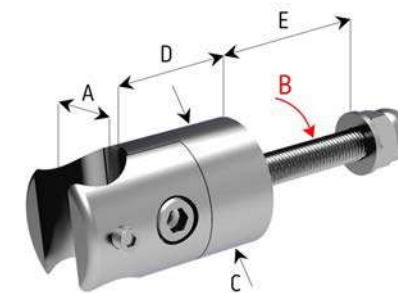
ROUND FRAME HOLDER TYPE 2 / FOR ROUND POSTS / DOUBLE SIDE



Part Number	Dimensions in mm				
	A	B	C	D	E
IN-FH2-0021-033-02	Ø21,3	M8	30	25+2	Ø33,7
IN-FH2-0021-042-02	Ø21,3	M8	30	25+2	Ø42,4
IN-FH2-0026-033-02	Ø26,9	M8	35	25+2	Ø33,7
IN-FH2-0026-042-02	Ø26,9	M8	35	25+2	Ø42,4

Material AISI316L

ROUND FRAME HOLDER TYPE 2 / FOR FLAT POSTS / SINGLE SIDE

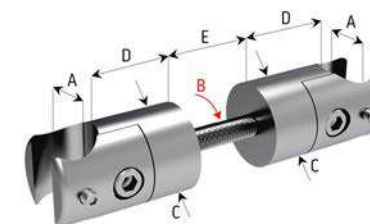


Part Number	Dimensions in mm				
	A	B	C	D	E
IN-FH2-0021-000-01	Ø21,3	M8	30	25	variable
IN-FH2-0026-000-01	Ø26,9	M8	35	25	variable

Material AISI316L

Dimension E is variable from 5mm to 50mm posts.

ROUND FRAME HOLDER TYPE 2 / FOR FLAT POSTS / DOUBLE SIDE



Part Number	Dimensions in mm				
	A	B	C	D	E
IN-FH2-0021-000-02	Ø21,3	M8	30	25	variable
IN-FH2-0026-000-02	Ø26,9	M8	35	25	variable

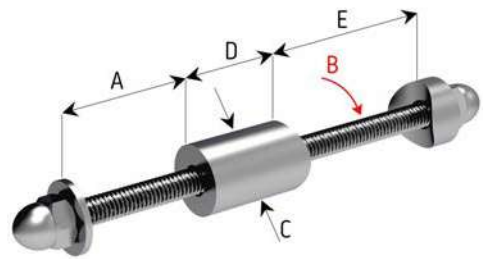
Material AISI316L

Dimension E is variable from 5mm to 50mm posts.

FRAME HOLDERS

Rectangular Frame Holders

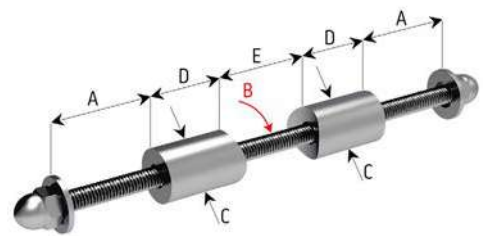
RECTANGULAR FRAME HOLDER / FOR ROUND POSTS / SINGLE SIDE



Part Number	Dimensions in mm				
	A	B	C	D	E
IN-FH3-2020-033-01	20x20	M6	16	25	Ø33,7
IN-FH3-2020-042-01	20x20	M6	16	25	Ø42,4
IN-FH3-2525-033-01	25x25	M6	16	25	Ø33,7
IN-FH3-2525-042-01	25x25	M6	16	25	Ø42,4
IN-FH3-3030-033-01	30x30	M8	20	25	Ø33,7
IN-FH3-3030-042-01	30x30	M8	20	25	Ø42,4

Material AISI316L

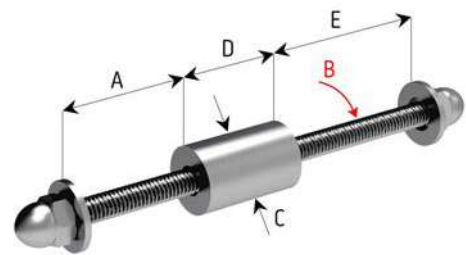
RECTANGULAR FRAME HOLDER / FOR ROUND POSTS / DOUBLE SIDE



Part Number	Dimensions in mm				
	A	B	C	D	E
IN-FH3-2020-033-02	20x20	M6	16	25	Ø33,7
IN-FH3-2020-042-02	20x20	M6	16	25	Ø42,4
IN-FH3-2525-033-02	25x25	M6	16	25	Ø33,7
IN-FH3-2525-042-02	25x25	M6	16	25	Ø42,4
IN-FH3-3030-033-02	30x30	M8	20	25	Ø33,7
IN-FH3-3030-042-02	30x30	M8	20	25	Ø42,4

Material AISI316L

RECTANGULAR FRAME HOLDER / FOR FLAT POSTS / SINGLE SIDE

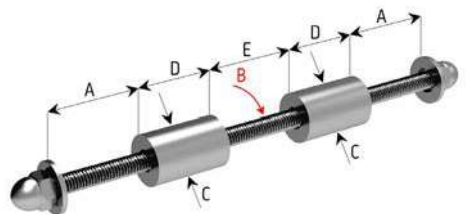


Part Number	Dimensions in mm				
	A	B	C	D	E
IN-FH3-2020-000-01	20x20	M6	16	25	variable
IN-FH3-2525-000-01	25x25	M6	16	25	variable
IN-FH3-3030-000-01	30x30	M8	20	25	variable

Material AISI316L

Dimension E is variable from 5mm to 50mm posts.

RECTANGULAR FRAME HOLDER / FOR FLAT POSTS / DOUBLE SIDE



Part Number	Dimensions in mm				
	A	B	C	D	E
IN-FH3-2020-000-02	20x20	M6	16	25	variable
IN-FH3-2525-000-02	25x25	M6	16	25	variable
IN-FH3-3030-000-02	30x30	M8	20	25	variable

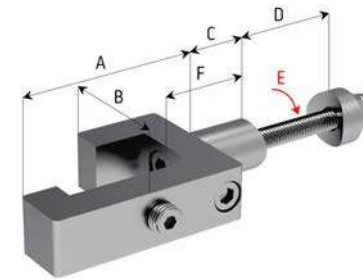
Material AISI316L

Dimension E is variable from 5mm to 50mm posts.

FRAME HOLDERS

Slotted Rectangular Frame Holders / Type 1

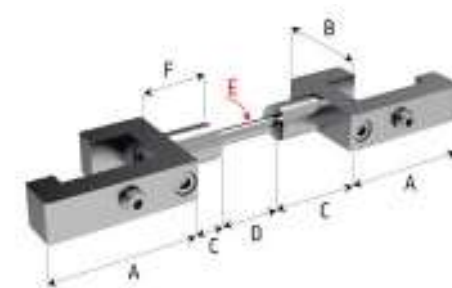
SLOTTED RECTANGULAR FRAME HOLDER TYPE 1 / FOR ROUND POSTS / SINGLE SIDE



Part Number	Dimensions in mm					
	A	B	C	D	E	F
IN-FH4-3020-033-01	55	40	20	Ø33,7	M6	30
IN-FH4-3020-042-01	55	40	20	Ø42,3	M6	30

Material AISI316L

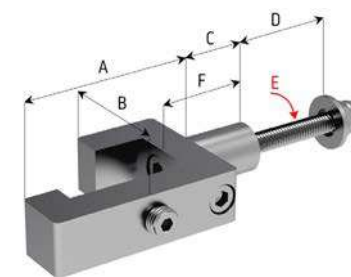
SLOTTED RECTANGULAR FRAME HOLDER TYPE 1 / FOR ROUND POSTS / DOUBLE SIDE



Part Number	Dimensions in mm					
	A	B	C	D	E	F
IN-FH4-3020-033-02	55	40	20	Ø33,7	M6	30
IN-FH4-3020-042-02	55	40	20	Ø42,3	M6	30

Material AISI316L

SLOTTED RECTANGULAR FRAME HOLDER TYPE 1 / FOR FLAT POSTS / SINGLE SIDE

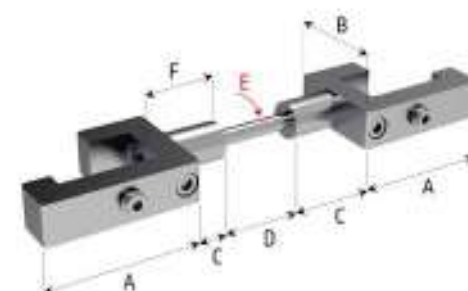


Part Number	Dimensions in mm					
	A	B	C	D	E	F
IN-FH4-3020-000-01	55	40	20	variable	M6	30

Material AISI316L

Dimension D is variable from 5mm to 50mm posts.

SLOTTED RECTANGULAR FRAME HOLDER TYPE 1 / FOR FLAT POSTS / DOUBLE SIDE



Part Number	Dimensions in mm					
	A	B	C	D	E	F
IN-FH4-3020-000-02	55	40	20	variable	M6	30

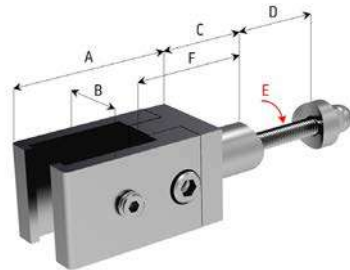
Material AISI316L

Dimension D is variable from 5mm to 50mm posts.

FRAME HOLDERS

Slotted Rectangular Frame Holders / Type 2

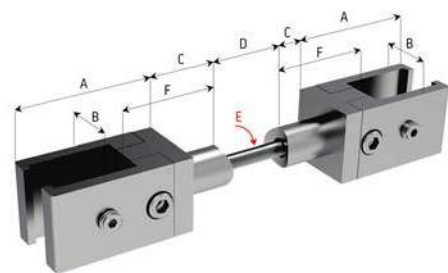
SLOTTED RECTANGULAR FRAME HOLDER TYPE 2 / FOR ROUND POSTS / SINGLE SIDE



Part Number	Dimensions in mm					
	A	B	C	D	E	F
IN-FH5-3020-033-01	55	30	10	Ø33,7	M6	30
IN-FH5-3020-042-01	55	30	110	Ø42,3	M6	30

Material AISI316L

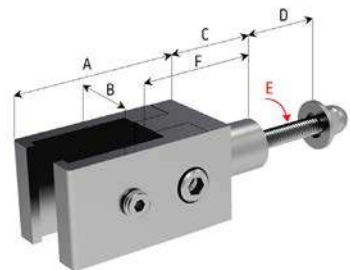
RECTANGULAR SLOTTED FRAME HOLDER TYPE 2 / FOR ROUND POSTS / DOUBLE SIDE



Part Number	Dimensions in mm					
	A	B	C	D	E	F
IN-FH5-3020-033-02	55	30	10	Ø33,7	M6	30
IN-FH5-3020-042-02	55	30	110	Ø42,3	M6	30

Material AISI316L

RECTANGULAR SLOTTED FRAME HOLDER TYPE 2 / FOR FLAT POSTS / SINGLE SIDE

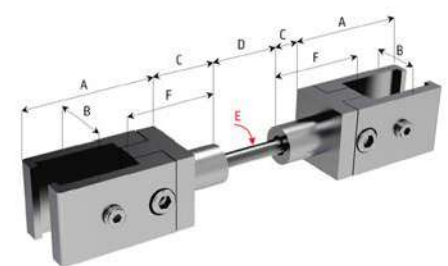


Part Number	Dimensions in mm					
	A	B	C	D	E	F
IN-FH5-3020-000-01	55	30	10	variable	M6	30

Material AISI316L

Dimension D is variable from 5mm to 50mm posts.

RECTANGULAR SLOTTED FRAME HOLDER TYPE 2 / FOR FLAT POSTS/ DOUBLE SIDE



Part Number	Dimensions in mm					
	A	B	C	D	E	F
IN-FH5-3020-000-02	55	30	10	variable	M6	30

Material AISI316L

Dimension D is variable from 5mm to 50mm posts.



ORDER DATA SHEET

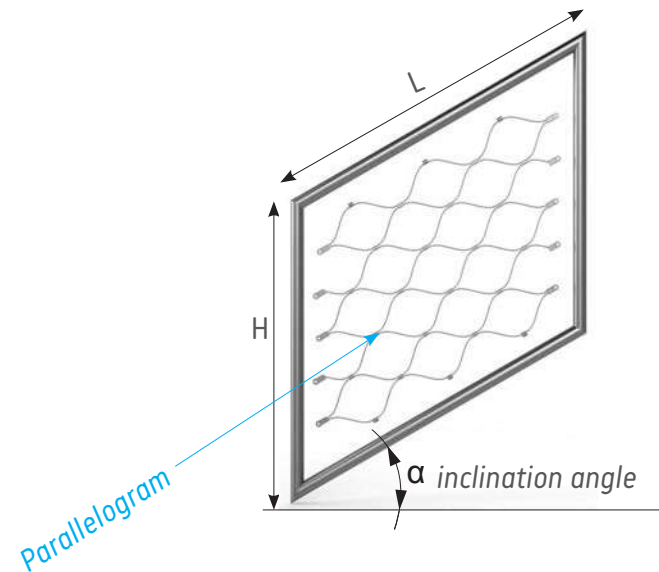
To provide a better service, please indicate following information when ordering stainless steel net systems. If you have any specific inquiry please contact us.

1. I-NET® Measurements

Outer Border / Frame Dimensions

Rectangular: **H** (Height in mm) x **L** (Length in mm)

Parallelogram: **H** (Height in mm) x **L** (Length in mm) x α (inclination angle)



For special shapes please share drawings.

2. I-NET® Type

Rope Diameter: : (See page 16)

Net Width : (See page 16)

Net Direction and Endings : (See page 18,19,20,21)

3. Border Details

Border Rope and Assembly Details: (See page 22 and 23)

Frame System (Round and inviss): (See page 26,27,28,29,30,31, 32)

Additional for Installation

Installation Cable : Rope diameter (See page 14)

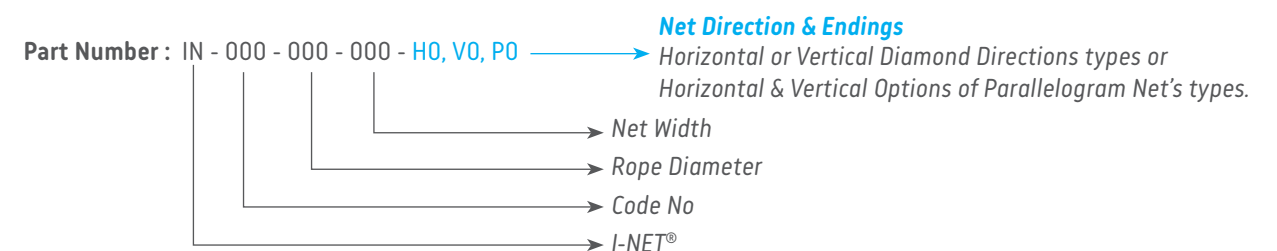
Ferrules : Type / dimension (See page 15)

Eyelets : Type / dimension (See page 15)

To order I-NET® please refer to following code system to identify part number.

I-NET® Part Number Description

IN	Code No.	Rope Diameter	Net Width	Net Direction & Endings
I-NET	110	1,5 mm	25 x 43 mm	H1 (Horizontal diamond direction, both sides open cable endings)
		2 mm	30 x 52 mm	H2 (Horizontal diamond direction, one side open cables, other side closed with loose ferrules)
		3 mm	40 x 69 mm	H3 (Horizontal diamond direction, both sides closed with loose ferrules)
			50 x 87 mm	H4 (Horizontal diamond direction, one side open cables, other side closed with eyelets)
			60 x 104 mm	H5 (Horizontal diamond direction, both sides closed with eyelets)
			70 x 121 mm	H6 (Horizontal diamond direction, one side closed with loose ferrules, other side closed with eyelets)
			80 x 139 mm	V1 (Vertical diamond direction, both sides open cable endings)
			100 x 173 mm	V2 (Vertical diamond direction, one side open cables, other side closed with loose ferrules)
			120 x 208 mm	V3 (Vertical diamond direction, both sides closed with loose ferrules)
			140 x 242 mm	V4 (Vertical diamond direction, one side open cable, other side closed with eyelets)
			160 x 277 mm	V5 (Vertical diamond direction, both sides closed with eyelets)
			180 x 312 mm	V6 (Vertical diamond direction, one side closed with loose ferrules, other side closed with eyelets)
			200 x 346 mm	PH1 (Parallelogram net, horizontal diamond, all sides open cable endings)
				PH2 (Parallelogram net, horizontal diamond, both sides closed with loose ferrules, other sides open cables)
				PH3 (Parallelogram net, horizontal diamond, both sides closed with loose ferrules and open cables, other sides closed with loose ferrules)
				PH4 (Parallelogram net, horizontal diamond, all net sides closed with eyelets)
				PH5 (Parallelogram net, horizontal diamond, all net sides closed with eyelets)
				PH6 (Parallelogram net, horizontal diamond, both sides closed with eyelets, other side closed with loose ferrules)
				PH7 (Parallelogram net, horizontal diamond, both sides closed with loose ferrules and eyelets, other sides closed with loose ferrules)
				PH8 (Parallelogram net, horizontal diamond, both sides closed with loose ferrules, other sides closed with eyelets)
				PH9 (Parallelogram net, horizontal diamond, all net sides closed with eyelets)
				PV1 (Parallelogram net, vertical diamond, both sides closed with loose ferrules, other sides closed with loose ferrules and open cables)
				PV2 (Parallelogram net, vertical diamond, both sides open cables, other sides closed with loose ferrules)
				PV3 (Parallelogram net, vertical diamond, both sides closed with loose ferrules, other sides closed with eyelets)
				PV4 (Parallelogram net, vertical diamond, all net sides closed with eyelets)
				PV5 (Parallelogram net, vertical diamond, both sides closed with loose ferrules, other sides closed with loose ferrules and eyelets)
				PV6 (Parallelogram net, vertical diamond, both sides closed with eyelets, other sides closed with loose ferrules)



I-ROPE® STAINLESS STEEL ROPE SYSTEMS

I-ROPE® Stainless Steel Rope Systems are versatile solutions made up of individual components, offering both aesthetic and functional advantages. From delicate railing infills to robust anchors, these systems meet various construction needs with flexibility, durability, and longevity. Available in diameters from 4 mm to 40 mm, I-ROPE® ropes are made from high-quality acid- and corrosion-resistant stainless steel 1.4401 (AISI316), 1.4404 (AISI316L) and 1.4462 (duplex) grades.

Key Features

- Functionality
- Decoration
- Flexibility
- Durability
- Long Life

Application Areas for I-ROPE®

Railings: Durable and attractive safety infills, offering long-lasting protection.

Safety Nets: Used as boundary ropes and support structures for safety nets in hazardous areas.

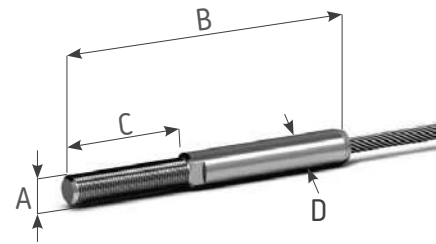
Suspended I-ROPE: Load-bearing systems for facades, bridges, canopies, luminaires, stairways, and interior decor.

Greenery Facade Systems: Serving as load-bearing substructures or customized nets for green facades, supporting plant growth across the structure.

I-ROPE® TECHNICAL DETAILS

External Thread Fittings

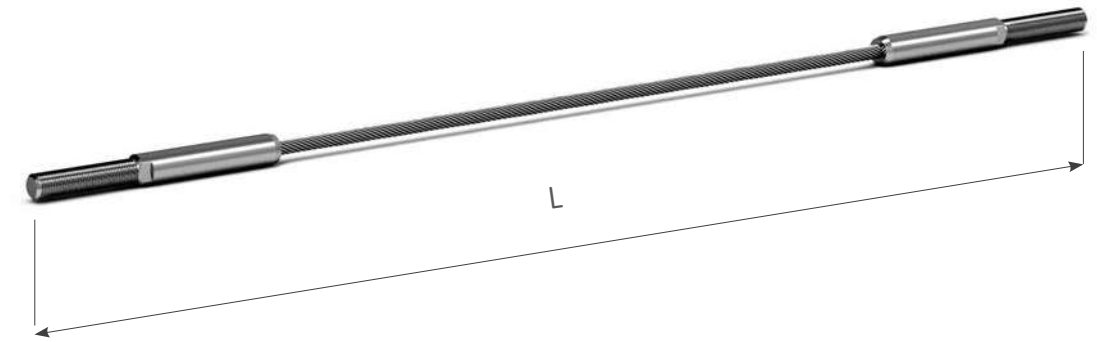
EXTERNAL THREAD ROLL SWAGED FITTING



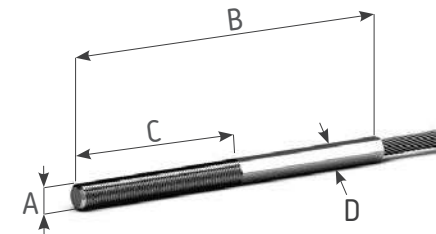
Part Number Right threaded	Part Number Left threaded	Set Number	Rope Ø mm	Dimensions in mm			
				A	B	C	D
IR-150-004-00	IR-150-004-01	IRS-120-004-00	4	M6	75	35	7,5
IR-150-006-00	IR-150-006-01	IRS-120-006-00	6	M10	109	45	12,5
IR-150-008-00	IR-150-008-01	IRS-120-008-00	8	M12	144	60	16
IR-150-010-00	IR-150-010-01	IRS-120-010-00	10	M14	180	76	17,8
IR-150-012-00	IR-150-012-01	IRS-120-012-00	12	M16	215	90	21,4
IR-150-014-00	IR-150-014-01	IRS-120-014-00	14	M20	278	115	25
IR-150-016-00	IR-150-016-01	IRS-120-016-00	16	M24	313	130	28
IR-150-018-00	IR-150-018-01	IRS-120-018-00	18	M27	332	146	34,5
IR-150-020-00	IR-150-020-01	IRS-120-020-00	20	M30	397	162	40
IR-150-022-00	IR-150-022-01	IRS-120-022-00	22	M30	410	170	40
IR-150-024-00	IR-150-024-01	IRS-120-024-00	24	M36	425	175	46
IR-150-026-00	IR-150-026-01	IRS-120-026-00	26	M36	435	175	46

Material AISI 316 L

Both sides external thread roll swaged.



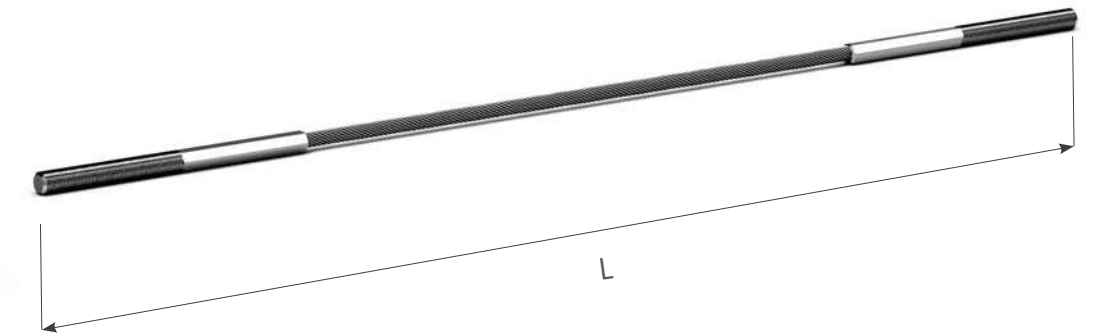
EXTERNAL THREAD SWAGED FITTING



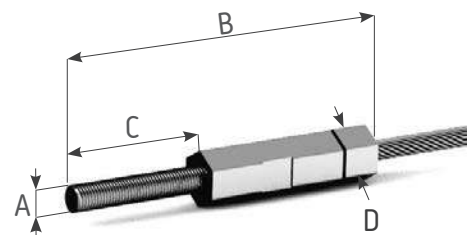
Part Number Right threaded	Part Number Left threaded	Set Number	Rope Ø mm	Dimensions in mm			
				A	B	C	D
IR-160-004-00	IR-160-004-01	IRS-130-004-00	4	M6	90	40	7
IR-160-006-00	IR-160-006-01	IRS-130-006-00	6	M10	125	50	10
IR-160-008-00	IR-160-008-01	IRS-130-008-00	8	M12	155	65	13
IR-160-010-00	IR-160-010-01	IRS-130-010-00	10	M16	190	80	18
IR-160-012-00	IR-160-012-01	IRS-130-012-00	12	M20	225	100	20
IR-160-016-00	IR-160-016-01	IRS-130-016-00	16	M24	315	130	27

Material AISI 316 L

Both sides external thread swaged.



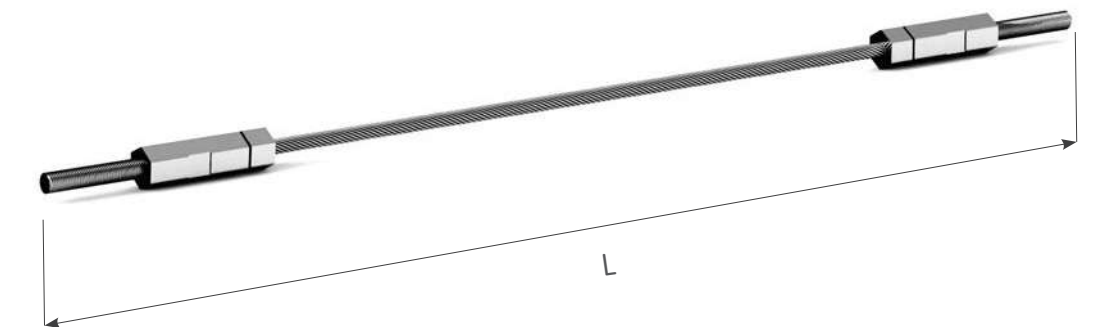
EXTERNAL THREAD SWAGELESS CONNECTION



Part Number Right threaded	Part Number Left threaded	Set Number	Rope Ø mm	Dimensions in mm			
				A	B	C	D
IR-170-004-00	IR-170-004-01	IRS-140-004-00	4	M6	110	60	13
IR-170-006-00	IR-170-006-01	IRS-140-006-00	6	M8	115	60	15
IR-170-008-00	IR-170-008-01	IRS-140-008-00	8	M10	160	80	19
IR-170-010-00	IR-170-010-01	IRS-140-010-00	10	M14	210	100	27

Material AISI 316 L

Both sides external thread swageless connection.

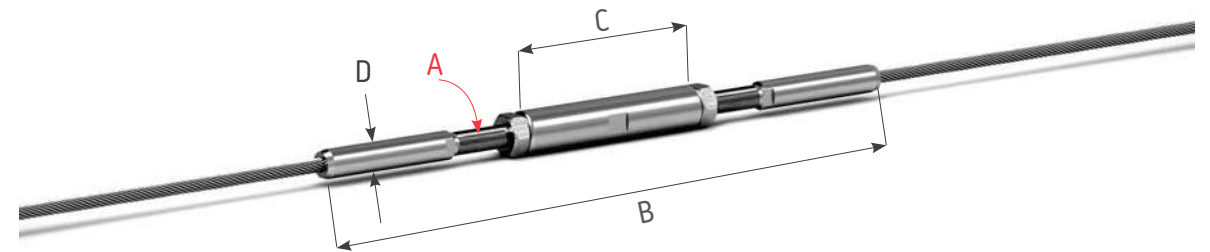


External Thread Fittings

TURNBUCKLE THREADS, ROLL SWAGED

Part Number	Rope Ø mm	Dimensions in mm					
		A	B	B _{max}	B _{min}	C	D
IR-180-004-00	4	M6	194	206,5	162	65	7,5
IR-180-006-00	6	M10	271	284	230	80	12,5
IR-180-008-00	8	M12	361	376	298	104	16
IR-180-010-00	10	M14	456	476	378	136	17,8
IR-180-012-00	12	M16	548	568	444	158	21,4
IR-180-014-00	14	M20	686	716	560	190	25
IR-180-016-00	16	M24	796	822	648	230	28
IR-180-018-00	18	M27	833	873	683	245	34,5
IR-180-020-00	20	M30	983	1023	806	271	40
IR-180-022-00	22	M30	1011	1051	822	271	40
IR-180-024-00	24	M36	1040	1090	866	290	46
IR-180-026-00	26	M36	1060	1110	886	290	46

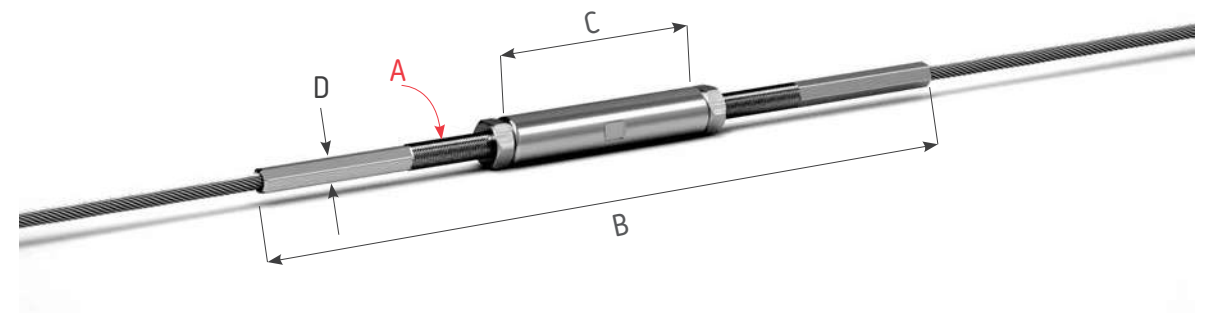
Material AISI 316 L



TURNBUCKLE THREADS, SWAGED

Part Number	Rope Ø mm	Dimensions in mm					
		A	B	B _{max}	B _{min}	C	D
IR-185-004-00	4	M6	227	233	200	65	7
IR-185-006-00	6	M10	300	310	255	80	10
IR-185-008-00	8	M12	376	390	314	104	13
IR-185-010-00	10	M16	490	506	414	158	18
IR-185-012-00	12	M20	580	600	485	190	20
IR-185-016-00	16	M24	793	811	655	230	27

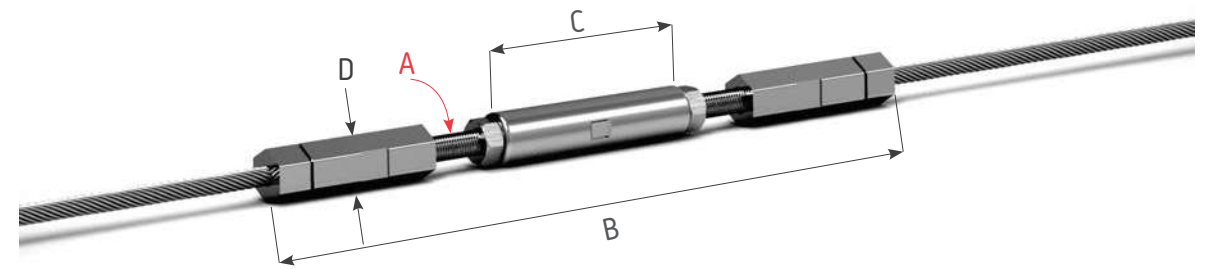
Material AISI 316 L



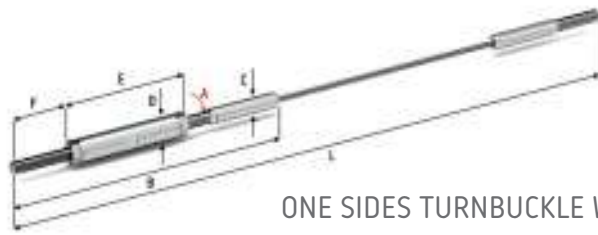
TURNBUCKLE THREADS, SWAGELESS

Part Number	Rope Ø mm	Dimensions in mm					
		A	B	B _{max}	B _{min}	C	D
IR-190-004-00	4	M6	267	273	220	65	13
IR-190-006-00	6	M8	276	284	230	70	15
IR-190-008-00	8	M10	370	380	320	80	19
IR-190-010-00	10	M14	514	532	420	136	27

Material AISI 316 L



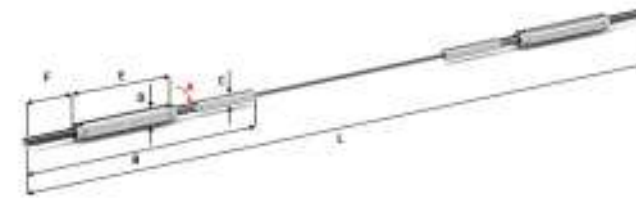
External Thread Fittings



ONE SIDES TURNBUCKLE WITH THREADED ROD AND ROLL SWAGED FITTING,
OTHER SIDE ROLL SWAGED FITTING

Part Number	Rope Ø mm	Dimensions in mm							Adjustment	Lmin
		A	B	C	D	E	F			
IRS-125-004-00	4	M6	175	7,5	10	65	40	+10/-28	250	
IRS-125-006-00	6	M10	243	12,5	19	70	60	+12/-42	700	
IRS-125-008-00	8	M12	307	16	20	104	65	+15/-63	900	
IRS-125-010-00	10	M14	373	17,8	25	136	70	+22/-75	1100	

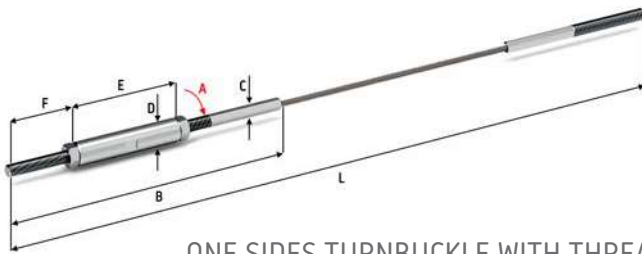
Material AISI 316 L



BOTH SIDES TURNBUCKLE WITH THREADED ROD AND ROLL SWAGED FITTING

Part Number	Rope Ø mm	Dimensions in mm							Adjustment	Lmin
		A	B	C	D	E	F			
IRS-126-004-00	4	M6	175	7,5	10	65	40	+20/-56	350	
IRS-126-006-00	6	M10	243	12,5	19	80	60	+24/-84	850	
IRS-126-008-00	8	M12	307	16	20	104	65	+30/-126	1050	
IRS-126-010-00	10	M14	373	17,8	25	136	70	+44/-150	1300	

Material AISI 316 L



ONE SIDES TURNBUCKLE WITH THREADED ROD AND SWAGED FITTING, OTHER SIDE
SWAGED FITTING

Part Number	Rope Ø mm	Dimensions in mm							Adjustment	Lmin
		A	B	C	D	E	F			
IRS-135-004-00	4	M6	190	7	10	65	40	+11/-28	310	
IRS-135-006-00	6	M10	265	10	19	80	60	+12/-42	440	
IRS-135-008-00	8	M12	318	13	20	104	65	+15/-63	550	
IRS-135-010-00	10	M16	398	18	28	158	65	+30/-70	670	

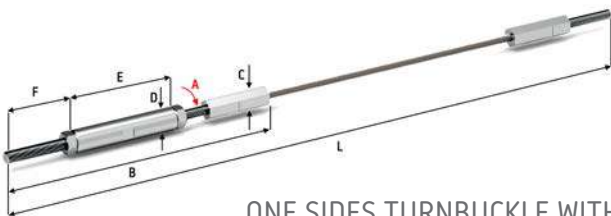
Material AISI 316 L



BOTH SIDES TURNBUCKLE WITH THREADED ROD AND SWAGED FITTING

Part Number	Rope Ø mm	Dimensions in mm							Adjustment	Lmin
		A	B	C	D	E	F			
IRS-136-004-00	4	M6	190	7	10	65	60	+22/-56	310	
IRS-136-006-00	6	M10	265	10	19	80	80	+24/-84	440	
IRS-136-008-00	8	M12	318	13	20	104	90	+30/-126	550	
IRS-136-010-00	10	M16	398	18	28	158	100	+60/-140	670	

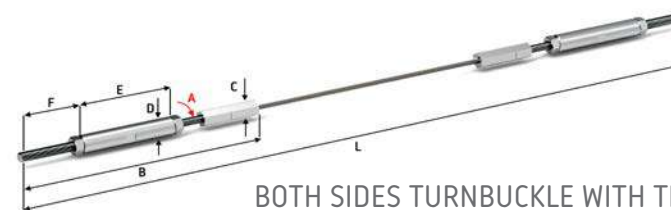
Material AISI 316 L



ONE SIDES TURNBUCKLE WITH THREADED ROD AND SWAGELESS CONNECTION,
OTHER SIDE SWAGELESS CONNECTION

Part Number	Rope Ø mm	Dimensions in mm							Adjustment	Lmin
		A	B	C	D	E	F			
IRS-145-004-00	4	M6	210,5	13	10	65	40	+10/-28	250	
IRS-145-006-00	6	M10	221	15	16	70	60	+10/-36	700	
IRS-145-008-00	8	M12	294	19	19	80	60	+12/-42	900	
IRS-145-010-00	10	M14	406	27	25	136	70	+20/-78	1100	

Material AISI 316 L



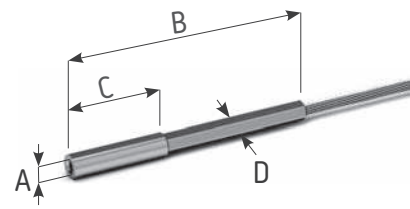
BOTH SIDES TURNBUCKLE WITH THREADED ROD AND SWAGELESS CONNECTION

Part Number	Rope Ø mm	Dimensions in mm							Adjustment	Lmin
		A	B	C	D	E	F			
IRS-146-004-00	4	M6	210,5	13	10	65	40	+20/-56	470	
IRS-146-006-00	6	M10	221	15	16	70	40	+20/-72	490	
IRS-146-008-00	8	M12	294	19	19	80	60	+24/-84	640	
IRS-146-010-00	10	M14	406	27	25	136	70	+40/-156	860	

Material AISI 316 L

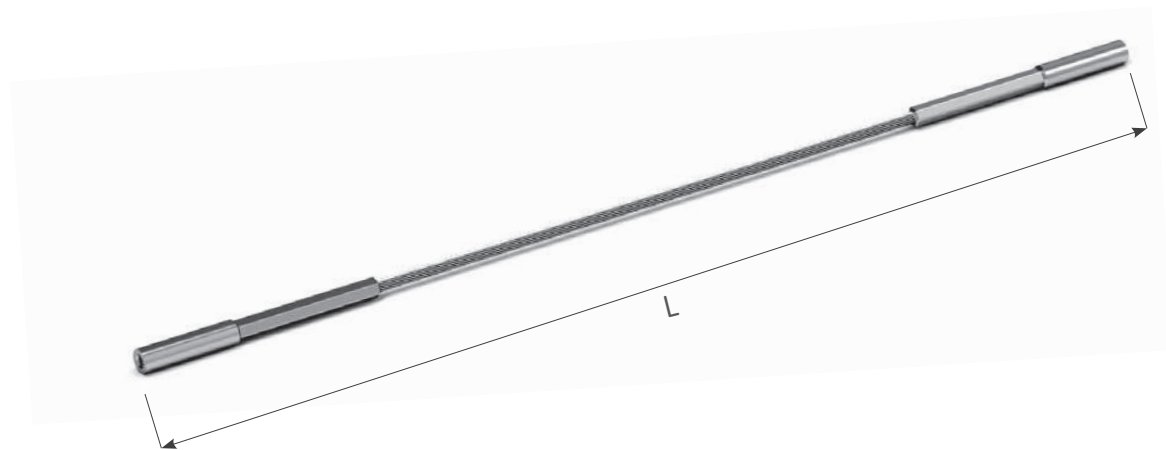
Internal Thread fittings

INTERNAL THREAD SWAGED FITTING

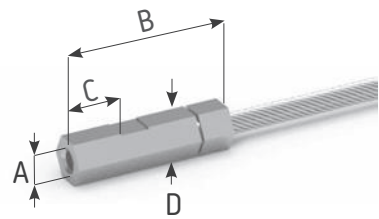


Part Number Right Threaded	Part Number Left Threaded	Set Number	Rope Ø mm	Dimensions in mm			
				A	B	C	D
IR-201-004-00	IR-201-004-01	IRS-210-004-00	4	M6	80	30	7
IR-201-006-00	IR-201-006-01	IRS-210-006-00	6	M8	120	50	10
IR-201-008-00	IR-201-008-01	IRS-210-008-00	8	M10	180	60	13
IR-201-010-00	IR-201-010-01	IRS-210-010-00	10	M12	190	80	18
IR-201-012-00	IR-201-012-01	IRS-210-012-00	12	M16	220	100	25
IR-201-014-00	IR-201-014-01	IRS-210-014-00	14	M20	260	110	28
IR-201-016-00	IR-201-016-01	IRS-210-016-00	16	M20	280	120	30

Material AISI 316 L

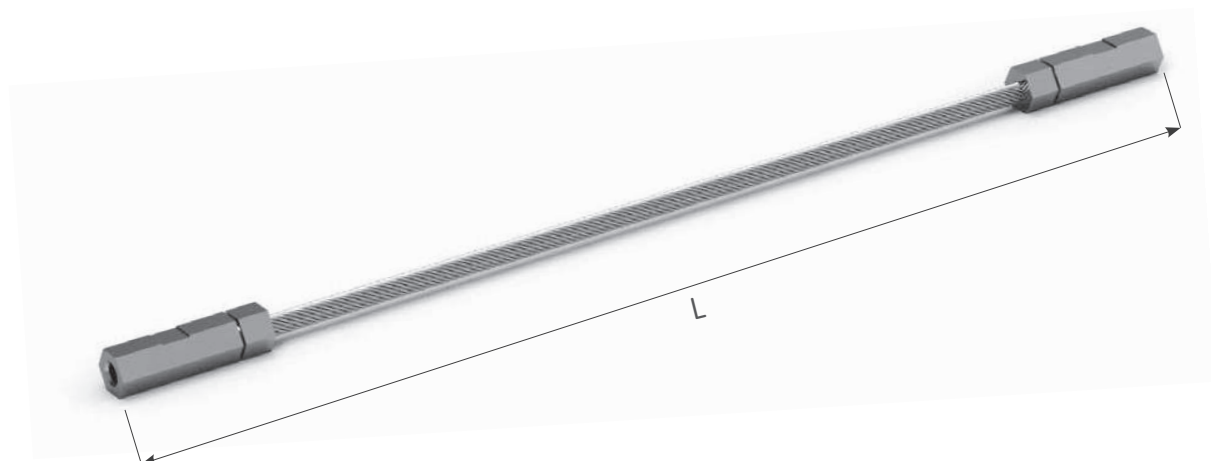


INTERNAL THREAD SWAGELESS CONNECTION



Part Number Right Threaded	Part Number Left Threaded	Set Number	Rope Ø mm	Dimensions in mm			
				A	B	C	D
IR-202-004-00	IR-202-004-01	IRS-220-004-00	4	M6	50	18	13
IR-202-006-00	IR-202-006-01	IRS-220-006-00	6	M8	55	20	15
IR-202-008-00	IR-202-008-01	IRS-220-008-00	8	M10	90	30	19
IR-202-010-00	IR-202-010-01	IRS-220-010-00	10	M14	110	45	27

Material AISI 316 L

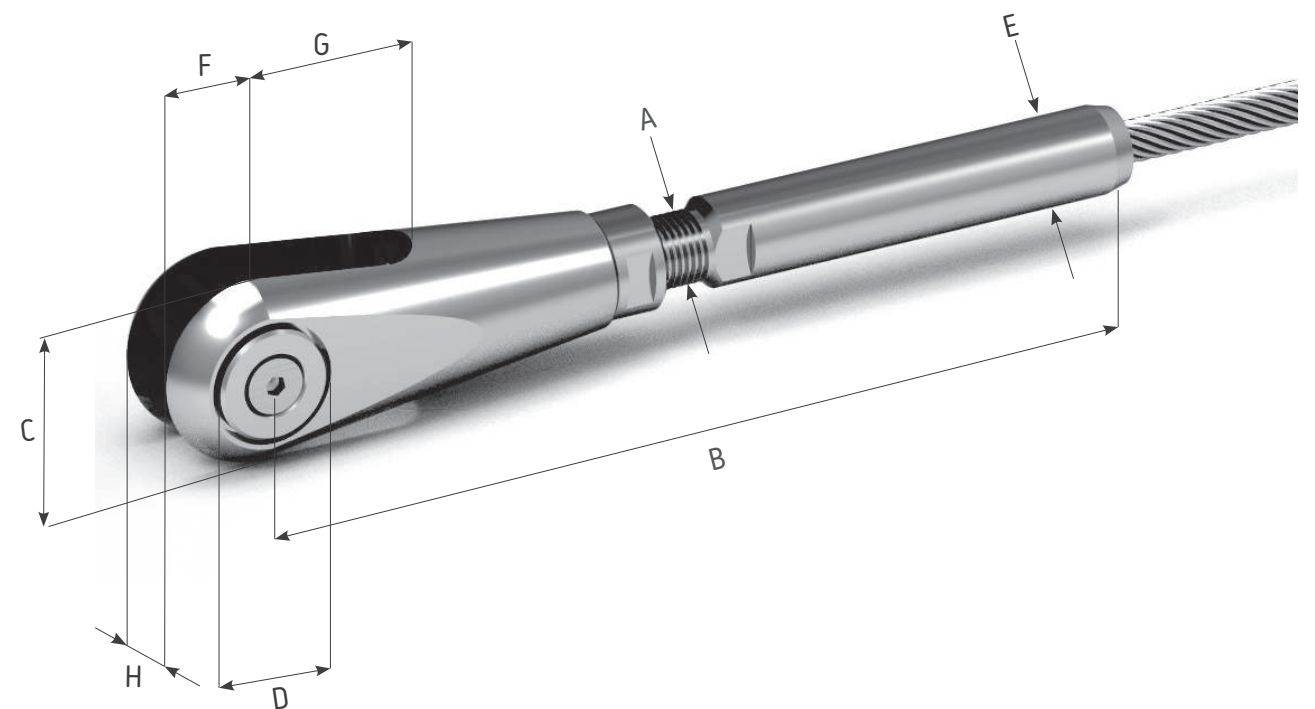


Forks

FORK WITH ROLL SWAGED FITTING

Part Number Right threaded	Rope Ø mm	Dimensions in mm							
		A	B	C	D	E	F	G	H
IR-315-004-00	4	M6	82,2	15,5	6	7,5	8	11,5	6,6
IR-315-006-00	6	M10	132	25,7	10	12,5	12,9	19,7	11
IR-315-008-00	8	M12	164	29,7	12	16	14,8	22	12
IR-315-010-00	10	M14	195	34,6	15	17,8	17,3	25,7	14
IR-315-012-00	12	M16	225	39,6	18	21,4	19,8	29,3	16
IR-315-014-00	14	M20	293	52,6	20	25	26,3	38,7	16
IR-315-016-00	16	M24	328	60,1	26	28	30	45	22
IR-315-018-00	18	M27	353	66,5	28	34,5	34,1	48,2	22
IR-315-020-00	20	M30	415	75,9	30	40	37,9	55	22
IR-315-022-00	22	M30	435	75,9	30	40	37,9	55	22
IR-315-024-00	24	M36	480	90,6	36	46	45,5	64,2	27
IR-315-026-00	26	M36	485	90,6	36	46	45,5	64,2	27

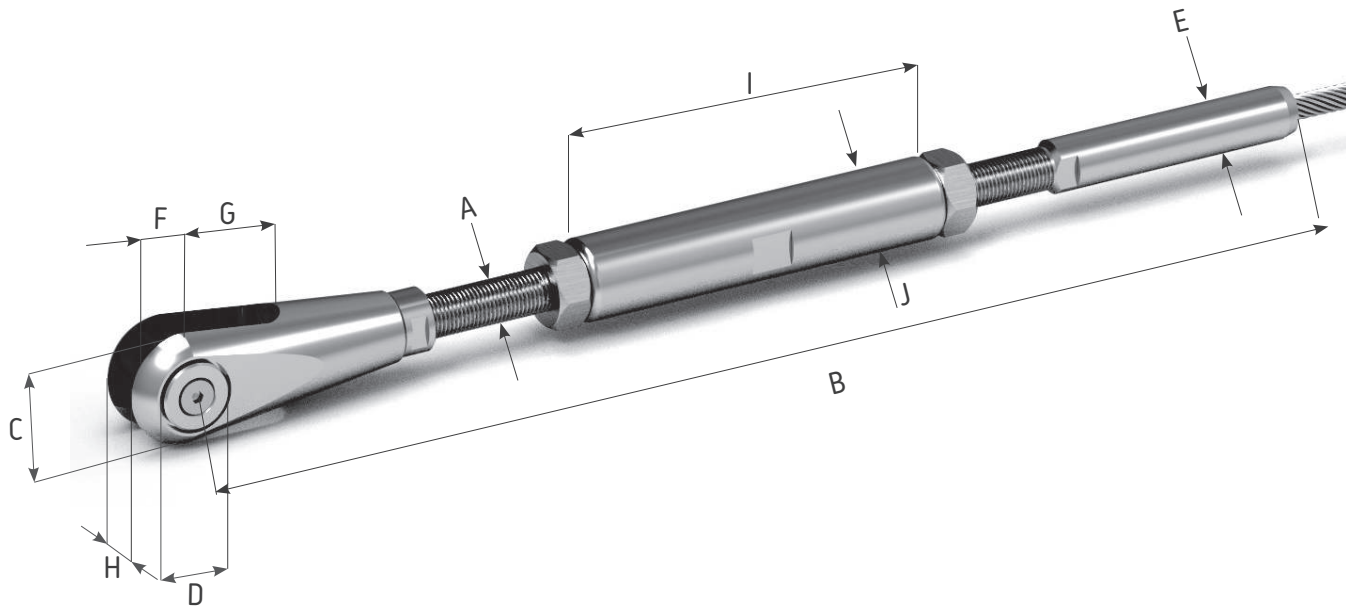
Material AISI 316 L



FORK WITH TURNBUCKLE AND ROLL SWAGED FITTING

Part Number	Rope Ø mm	Dimensions in mm											
		A	B	B _{max}	B _{min}	C	D	E	F	G	H	I	J
IR-325-004-00	4	M6	184,7	194,4	152,6	15,5	6	7,5	8	11,5	6,6	65	10
IR-325-006-00	6	M10	274	287	223	25,7	10	12,5	12,9	19,7	11	80	19
IR-325-008-00	8	M12	342	358	281	29,7	12	16	14,8	22	12	104	20
IR-325-010-00	10	M14	417	437	347	34,6	15	17,8	17,3	25,7	14	136	25
IR-325-012-00	12	M16	488	518	409	39,6	18	21,4	19,8	29,3	16	158	28
IR-325-014-00	14	M20	608	638	517	52,6	20	25	26,3	38,7	16	190	38
IR-325-016-00	16	M24	730	761	599	60,1	26	28	30	45	22	230	40
IR-325-018-00	18	M27	768	799	642	66,5	28	34,5	34,1	48,2	22	245	45
IR-325-020-00	20	M30	870	910	733	75,9	30	40	37,9	55	22	271	50
IR-325-022-00	22	M30	885	925	739	75,9	30	40	37,9	55	22	271	50
IR-325-024-00	24	M36	965	1015	812	90,6	36	46	45,5	64,2	27	290	55
IR-325-026-00	26	M36	975	1025	822	90,6	36	46	45,5	64,2	27	290	55

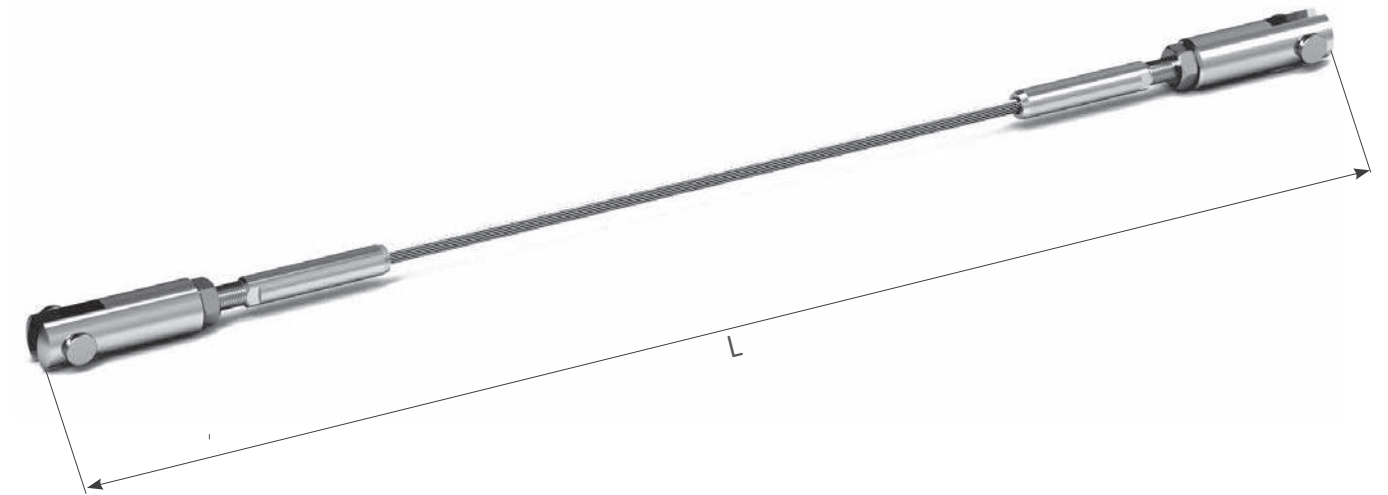
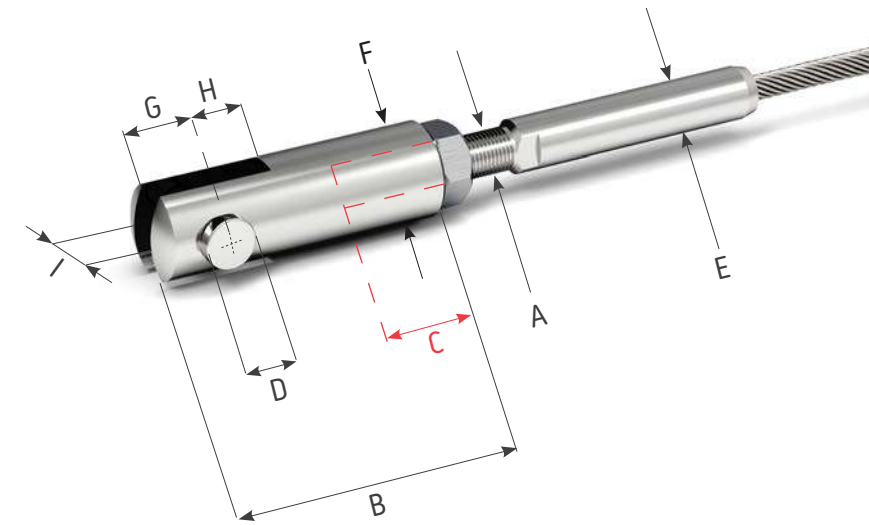
Material AISI 316 L



CYLINDRICAL FORK WITH SWAGED FITTING

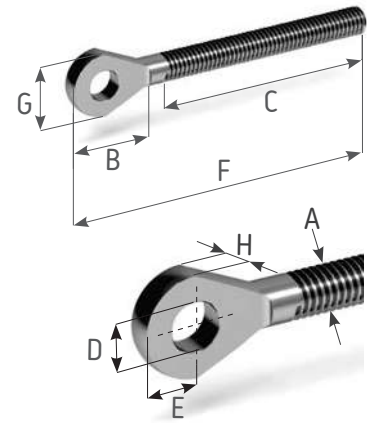
Part Number	Part Number	Set Number	Rope Ø mm	Dimensions in mm									
				A	B	C	D	E	F	G	H	I	
IR-335-006-00	IR-335-006-01	IRS-336-006-00	4	M6	45	20	6	7,5	14	8	9	6	
IR-335-008-00	IR-335-008-01	IRS-336-008-00	6	M8	55	25	8	12,5	18	12	13	7	
IR-335-010-00	IR-335-010-01	IRS-336-010-00	6	M10	70	30	10	12,5	22	15	15	8	
IR-335-012-00	IR-335-012-01	IRS-336-012-00	8	M12	80	35	12	16	26	17	18	10	
IR-335-014-00	IR-335-014-01	IRS-336-014-00	10	M14	90	35	14	17,8	30	19	20	11	
IR-335-016-00	IR-335-016-01	IRS-336-016-00	12	M16	100	40	16	21,4	34	22	22	12	
IR-335-020-00	IR-335-020-01	IRS-336-020-00	14	M20	120	40	20	25	42	27	27	15	
IR-335-024-00	IR-335-024-01	IRS-336-024-00	16	M24	150	40	22	28	52	34	34	18	

Material AISI 316 L



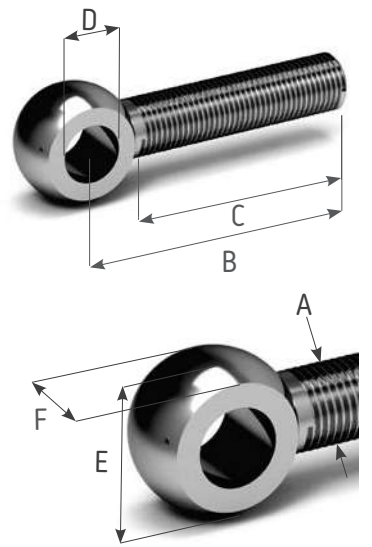
Eyes

EYE WITH EXTERNAL THREAD



Part Number	Part Number	Dimensions in mm							
Right threaded	Left threaded	A	B	C	D	E	F	G	H
IR-404-005-00	IR-404-005-01	M5	14	51	5,5	6	63	12	3
IR-404-006-00	IR-404-006-01	M6	16	47	6,5	7	61	14	4
IR-404-008-00	IR-404-008-01	M8	21	57	8,5	8,5	78	17	5
IR-404-010-00	IR-404-010-01	M10	29	63	10,5	12	90	22	6
IR-404-012-00	IR-404-012-01	M12	31	80	13	14	110	25	8
IR-404-014-00	IR-404-014-01	M14	34	90	13	14	124	28	9
IR-404-016-00	IR-404-016-01	M16	37	100	14,5	15,5	133	31	10
IR-404-020-00	IR-404-020-01	M20	49	120	19,5	21	164	40	15

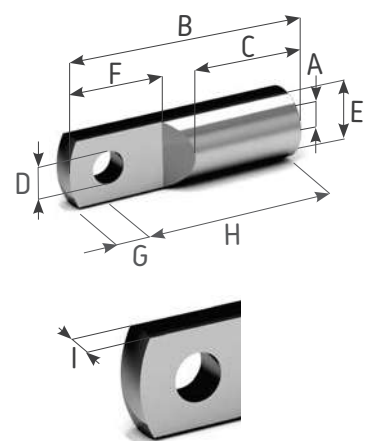
Material AISI 316 L



EYE BOLT

Part Number	Part Number	Dimensions in mm					
Right threaded	Left threaded	A	B	C	D	E	F
IR-405-006-00	IR-405-006-01	M6	40	30	6,1	14	7
IR-405-008-00	IR-405-008-01	M8	40	30	8,1	18	9
IR-405-010-00	IR-405-010-01	M10	50	40	10	20	12
IR-405-012-00	IR-405-012-01	M12	50	35	12,1	25	14
IR-405-016-00	IR-405-016-01	M16	60	40	16,1	32	17
IR-405-020-00	IR-405-020-01	M20	80	55	18,1	40	22

Material AISI 316 L

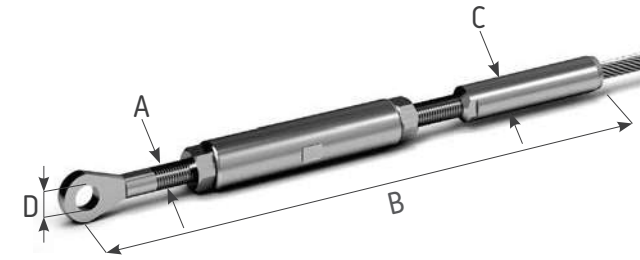


EYE INTERNAL THREAD

Part Number	Part Number	Rope	Dimensions in mm								
Right threaded	Left threaded	Ømm	A	B	C	D	E	F	G	H	I
IR-406-006-00	IR-406-006-01	4	M6	47	18,5	6	14	17	8	39	5,8
IR-406-008-00	IR-406-008-01	6	M8	62	24,5	8	18	25	10,5	51,5	6,8
IR-406-010-00	IR-406-010-01	6	M10	75	30	10	22	30	13	62	7,8
IR-406-012-00	IR-406-012-01	8	M12	89	35	12	26	35	15	74	9,8
IR-406-014-00	IR-406-014-01	10	M14	100	40	14	30	37	17	83	10,8
IR-406-016-00	IR-406-016-01	12	M16	113	44	16	34	40	19	94	11,8
IR-406-020-00	IR-406-020-01	14	M20	140	55	20	42	40	24	116	14,8
IR-406-024-00	IR-406-024-01	16	M24	170	68	22	52	40	30	140	17,8

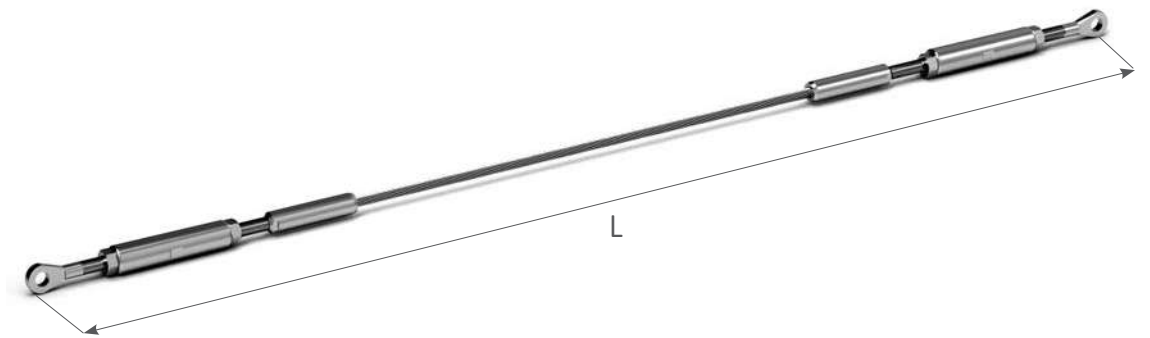
Material AISI 316 L

TURNBUCKLE WITH EXTERNAL THREAD EYE AND ROLL SWAGED FITTING

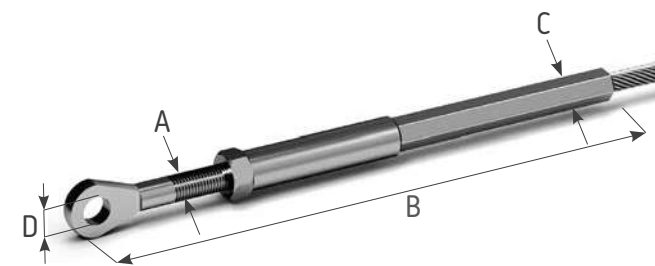


Part Number	Set Number	Dimensions in mm					
Right Threaded		A	B	Bmax	Bmin	C	D
IR-414-006-00	IRS-410-006-00	M6	187	196	151	7,5	6,5
IR-414-008-00	IRS-410-008-00	M8	219	230,5	178	12,5	8,5
IR-414-010-00	IRS-410-010-00	M10	259	273	207	12,5	10,5
IR-414-012-00	IRS-410-012-00	M12	323	340,4	260	16	13
IR-414-016-00	IRS-410-016-00	M16	452	472	354	28	14,5
IR-414-020-00	IRS-410-020-00	M20	572	602	448	38	19,5

Material AISI 316 L

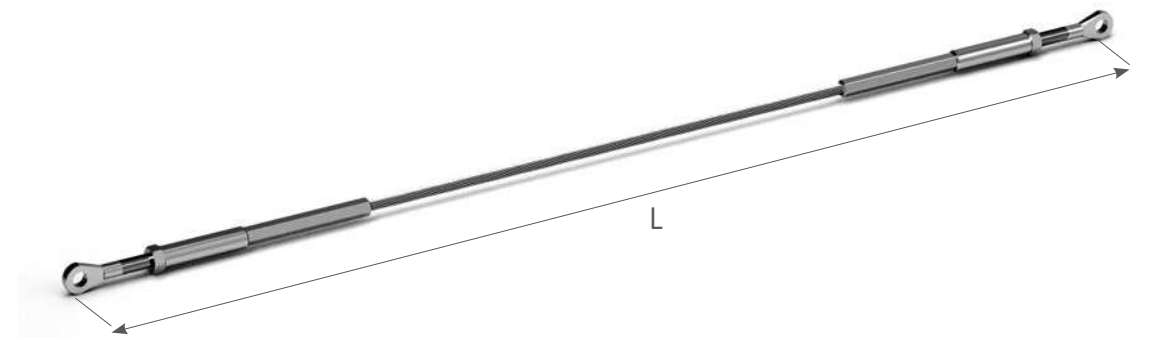


EYE WITH INTERNAL THREAD SWAGED



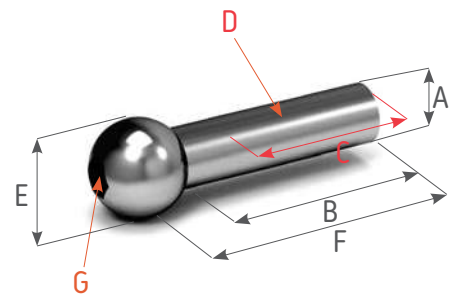
Part Number	Set Number	Dimensions in mm					
Right threaded		A	B	Bmax	Bmin	C	D
IR-424-006-00	IRS-420-006-00	M6	129	133,5	111	7	6,5
IR-424-008-00	IRS-420-008-00	M8	191	195,5	157,5	10	8,5
IR-424-010-00	IRS-420-010-00	M10	255	262	220	13	10,5
IR-424-012-00	IRS-420-012-00	M12	292,5	301,2	245	18	13
IR-424-016-00	IRS-420-016-00	M16	343	353	281	28	14,5
IR-424-020-00	IRS-420-020-00	M20	424	439	355	30	19,5

Material AISI 316 L



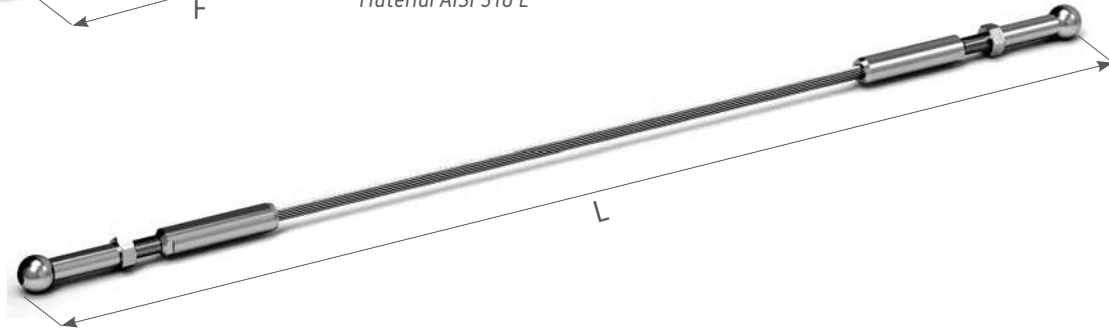
Ending Accessories

BALL HEAD WITH INTERNAL THREAD

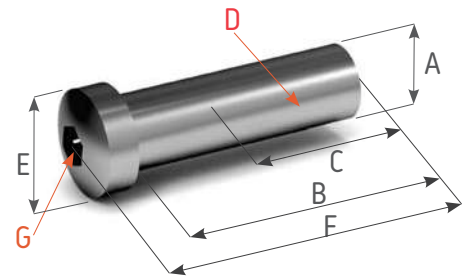


Part Number	Set Number	Rope Ø mm	Dimensions in mm						
			A	B	C	D	E	F	G
IR-581-004-00	IRS-501-004	4	M6	30	20	8	14	35,7	4
IR-581-006-00	IRS-501-006	6	M8	36	25	10	16	42,24	5

Material AISI 316 L

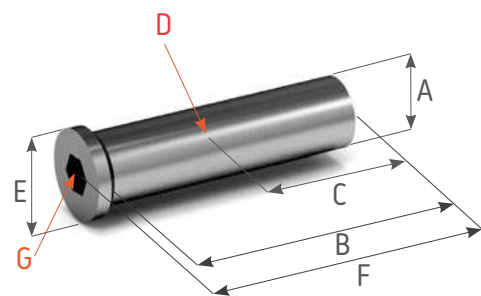
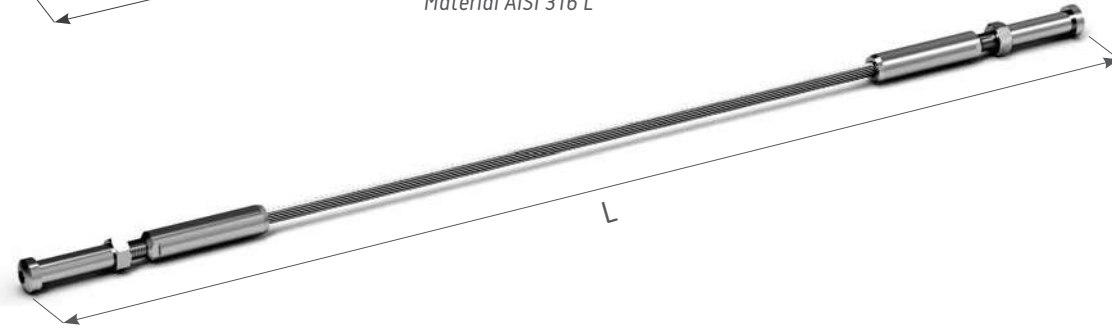


RADIUS HEAD END STOP WITH INTERNAL THREAD



Part Number	Set Number	Rope Ø mm	Dimensions in mm					
			A	B	C	D	E	F
IR-582-004-00	IRS-502-004	4	M6	30	20	8	14	35
IR-582-006-00	IRS-502-006	6	M8	34	25	10	14	40

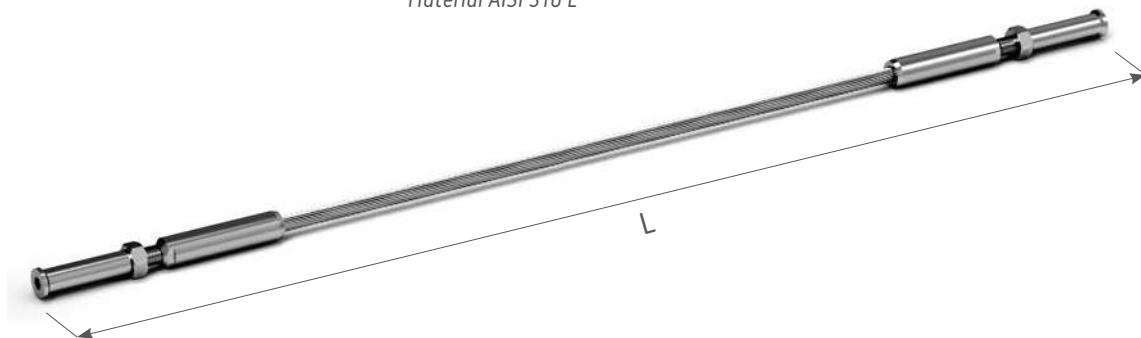
Material AISI 316 L



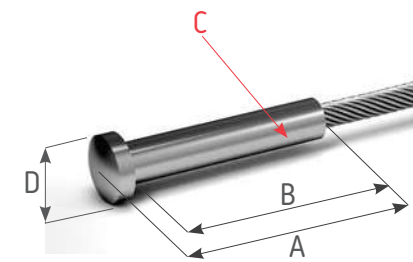
COUNTERSUNK END STOP WITH INTERNAL THREAD

Part Number	Set Number	Rope Ø mm	Dimensions in mm					
			A	B	C	D	E	F
IR-583-004-00	IRS-503-004	4	M6	30	20	8	12,4	34
IR-583-006-00	IRS-503-006	6	M8	36	25	10	12,4	40

Material AISI 316 L

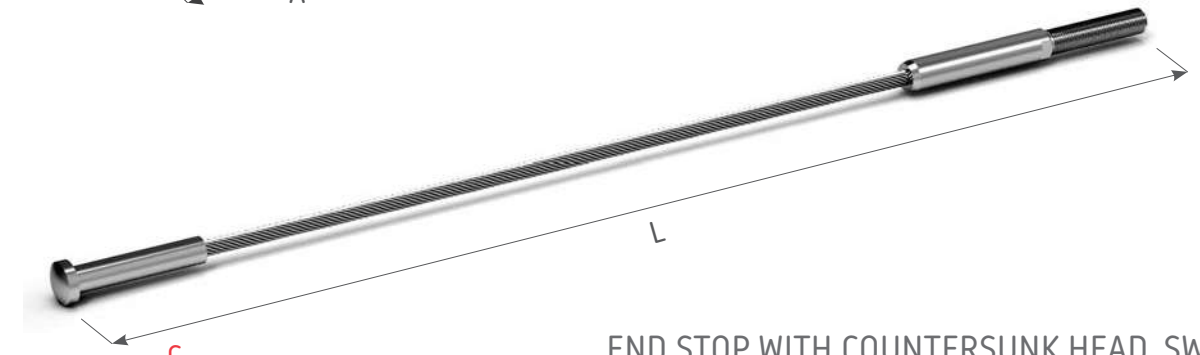


END STOP WITH RADIUS HEAD, SWAGED

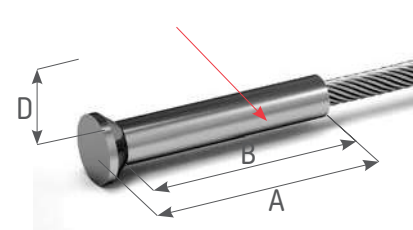


Part Number	Set Number	Rope Ø mm	Dimensions in mm			
			A	B	C	D
IR-584-004-00	IRS-504-004	4	40	36	7	12
IR-584-006-00	IRS-504-006	6	58	52	10	16

Material AISI 316 L

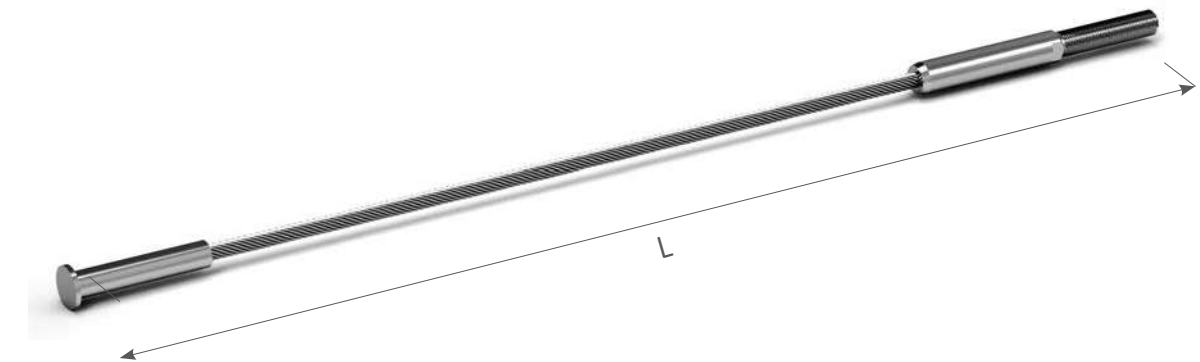


END STOP WITH COUNTERSUNK HEAD, SWAGED

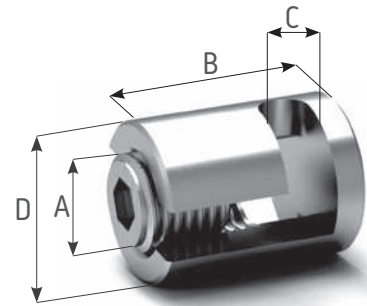


Part Number	Set Number	Rope Ø mm	Dimensions in mm			
			A	B	C	D
IR-585-004-00	IRS-505-004	4	40	36	7	12
IR-585-006-00	IRS-505-006	6	55	52	10	16

Material AISI 316 L



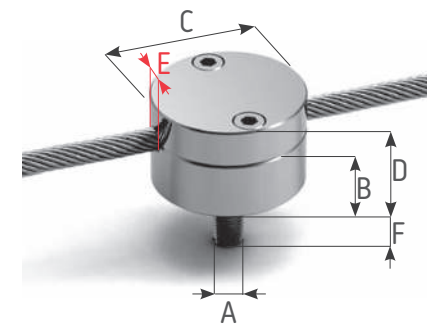
Accessories



CROSS CLAMP ADJUSTABLE

Part Number	Rope Ø mm	Dimensions in mm			
		A	B	C	D
IG-808-004-00	4	M12	22	4,5	20
IG-808-006-00	6	M12	26	6,5	20
IG-808-008-00	8	M12	32	8,5	20

Material AISI 316 L



SCREW ON CROSS CLAMP

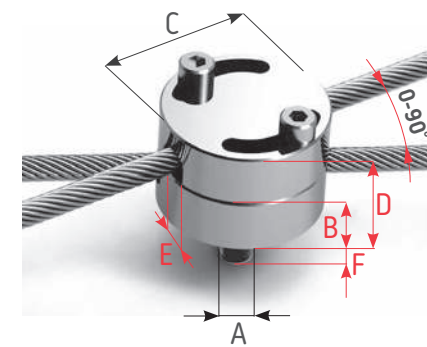
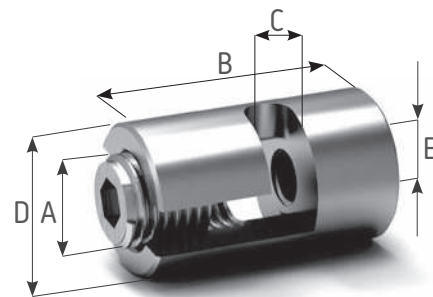
Part Number	Rope Ø mm	Dimensions in mm					
		A	B	C	D	E	F
IR-531-006-00	6	M8	15	40	25	6	20
IR-531-008-00	8	M8	15	40	25	8	20
IR-531-010-00	10	M8	15	40	25	10	20
IR-531-012-00	12	M8	15	40	25	12	20
IR-531-016-00	16	M10	20	50	32	16	20

Material AISI 316

CROSS CLAMP WITH INTERNAL THREAD ADJUSTABLE

Part Number	Rope Ø mm	Dimensions in mm					
		A	B	C	D	E	
IG-809-004-00	4	M12	30	4,5	20	M8	
IG-809-006-00	6	M12	34	6,5	20	M8	
IG-809-008-00	8	M12	40	8,5	20	M8	

Material AISI 316 L



ADJUSTABLE SCREW ON CROSS CLAMP

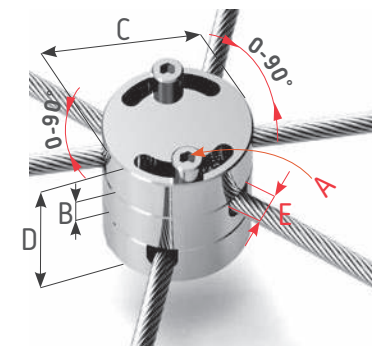
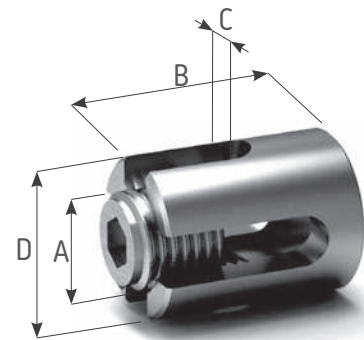
Part Number	Rope Ø mm	Dimensions in mm					
		A	B	C	D	E	F
IR-532-008-00	8	M8	14	40	27	8,5	20
IR-532-010-00	10	M8	17	40	30	10,5	20

Material AISI 316

CROSS CLAMP 90°

Part Number	Rope Ø mm	Dimensions in mm			
		A	B	C	D
IG-810-004-00	4	M12	22	4,5	20
IG-810-006-00	6	M12	26	6,5	20
IG-810-008-00	8	M16	27	8,5	30

Material AISI 316 L



ADJUSTABLE TRIPLE CROSS CLAMP

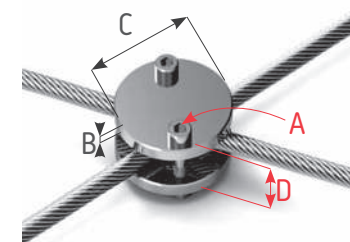
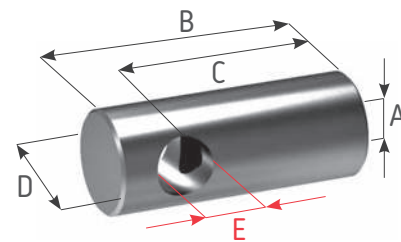
Part Number	Rope Ø mm	Dimensions in mm				
		A	B	C	D	E
IR-533-008-00	8	M6	13	40	42	8,5
IR-533-010-00	10	M6	13	40	42	10,5

Material AISI 316

ROPE HOLDER

Part Number	Rope Ø mm	Dimensions in mm				
		A	B	C	D	E
IR-544-008-00	6-8	M8	40	30	16	9
IR-544-010-00	10-12	M10	43	30	22	13
IR-544-012-00	14-16	M12	45	30	30	17

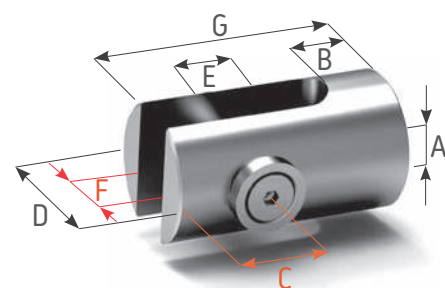
Material AISI 316 L



CROSS CLAMP

Part Number	Rope Ø mm	Dimensions in mm			
		A	B	C	D
IR-530-004-06	4-6	M4	5	35	18/22
IR-530-008-12	8-12	M6	8	45	32/40

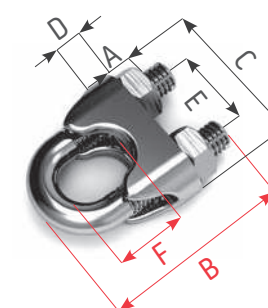
Material AISI 316



FORK HEAD ROPE GUIDING

Part Number	Rope Ø mm	Dimensions in mm						
		A	B	C	D	E	F	G
IR-543-010-00	8-10	M10	13	18	28	11	12	50
IR-543-012-00	12	M12	13	18	28	11	13,5	50

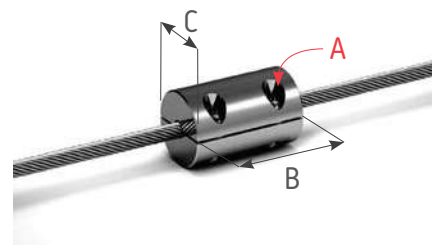
Material AISI 316 L



WIRE ROPE GRIP

Part Number	Rope Ø mm	Dimensions in mm					
		A	B	C	D	E	F min.max
IR-526-004-00	4	M4	24	19	17	10	5-12
IR-526-006-00	6	M6	33	28	20	14	4-15
IR-526-008-00	8	M8	40	34	27	19	5-16
IR-526-010-00	10	M10	50	45	29	21	8-23
IR-526-012-00	12	M12	60	51	32	26	8-29

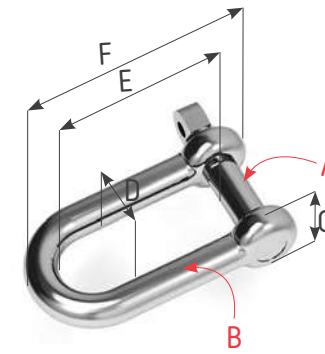
Material AISI 316



CLAMP RING WITH TWO PARTS

Part Number	Rope	Dimensions in mm		
	Ø mm	A	B	C
IR-542-004-00	4	M4	30	22
IR-542-006-00	6	M5	45	28
IR-542-008-00	8	M5	45	28

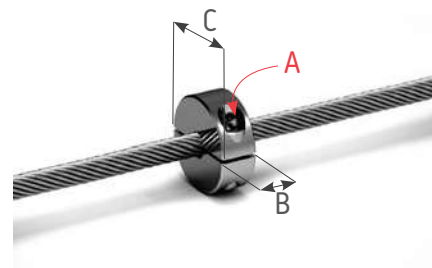
Material AISI 316 L



SHACKLE D-FORM

Part Number	Dimensions in mm					
	A	B	C	D	E	F
IR-557-006-00	6	6	12	12	24	38
IR-557-008-00	8	8	16	16	32	52
IR-557-010-00	10	10	20	20	40	66
IR-557-012-00	12	12	25	25	48	76
IR-557-016-00	16	16	32	32	64	101
IR-557-020-00	20	20	36	38	76	120

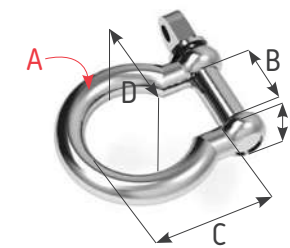
Material AISI 316



CLAMP RING

Part Number	Rope	Dimensions in mm		
	Ø mm	A	B	C
IR-541-004-00	4	M3	10	16
IR-541-006-00	6	M4	10	25
IR-541-008-00	8	M4	10	25

Material AISI 316 L



SHACKLE OMEGA

Part Number	Dimensions in mm				
	A	B	C	D	E
IR-559-006-00	6	12	24	18	12
IR-559-008-00	8	16	32	24	16
IR-559-010-00	10	20	40	30	20
IR-559-012-00	12	25	45	36	24

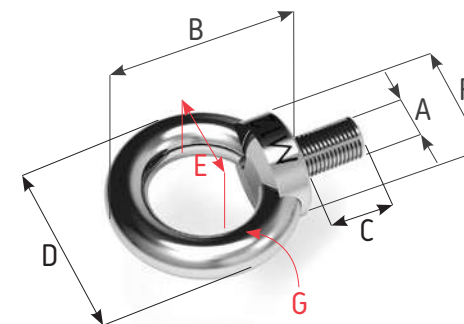
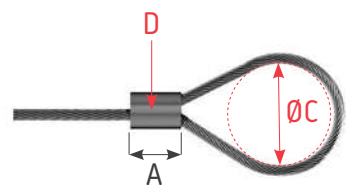
Material AISI 316

LOOP SWAGED WITHOUT THIMBLE

Part Number	Rope	Dimensions in mm		
	Ø mm	A	ØC	D
IR-522-002-00	2	10	-	4
IR-522-003-00	3	13	-	6
IR-522-004-00	4	16	-	8
IR-522-006-00	6	28	-	13
IR-522-008-00	8	40	-	16
IR-522-010-00	10	50	-	20
IR-522-012-00	12	60	-	24

Material AISI 316

Dimension ØC is variable



EYE BOLT

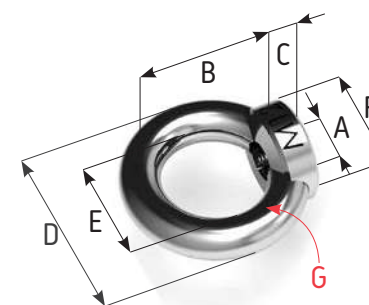
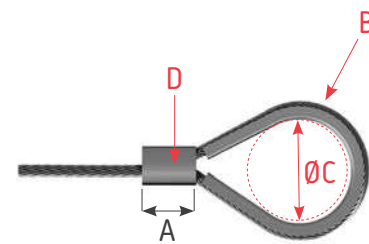
Part Number	Dimensions in mm						
	A	B	C	D	E	F	G
IR-551-008-00	M8	36	13	36	20	20	8
IR-551-010-00	M10	45	17	45	25	25	10
IR-551-012-00	M12	53	21	54	30	30	12
IR-551-016-00	M16	62	27	63	35	35	14
IR-551-020-00	M20	71	30	72	40	40	16

Material AISI 316

LOOP SWAGED WITH THIMBLE

Part Number	Rope	Dimensions in mm			
	Ø mm	A	B	ØC	D
IR-524-002-00	2	10	4	6,5	7
IR-524-003-00	3	13	5,5	9,5	9
IR-524-004-00	4	16	6,5	10,5	13
IR-524-006-00	6	28	9	15,5	13
IR-524-008-00	8	40	12	17,5	16
IR-524-010-00	10	50	14	23,5	20
IR-524-012-00	12	60	20	25,5	24

Material AISI 316

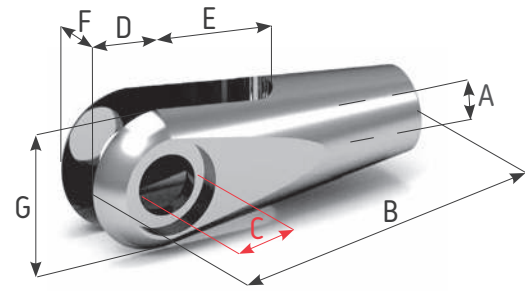


EYE NUT

Part Number	Dimensions in mm						
	A	B	C	D	E	F	G
IR-553-008-00	M8	36	8	36	20	20	8
IR-553-010-00	M10	45	10	45	25	25	10
IR-553-012-00	M12	53	11	54	30	30	12
IR-553-016-00	M16	62	13	63	35	35	14
IR-553-020-00	M20	71	15	72	40	40	16

Material AISI 316

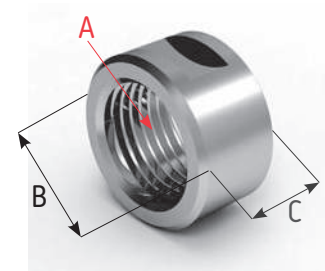
FORK WITH INTERNAL THREAD



Part Number Right threaded	Rope Ø mm	Dimensions in mm						
		A	B	C	D	E	F	G
IR-305-004-00	4	M6	39	6,5	8	11,5	6,6	15,5
IR-305-006-00	6	M10	65	11	12,9	19,7	11	25,7
IR-305-008-00	8	M12	75	13	14,8	22	12	29,7
IR-305-010-00	10	M14	87,5	16	17,3	25,7	14	34,6
IR-305-012-00	12	M16	100	19	19,8	29,3	16	39,6
IR-305-014-00	14	M20	132	21	26,3	38,7	16	52,6
IR-305-016-00	16	M24	150	27	30	45	22	60,1
IR-305-018-00	18	M27	170	29	34,1	48,2	22	66,5
IR-305-020-00	20	M30	188	31	37,9	55	22	75,9
IR-305-022-00	22	M30	188	31	37,9	55	22	75,9
IR-305-024-00	24	M36	225	37	45,4	64,2	27	90,6
IR-305-026-00	26	M36	225	37	45,5	64,2	27	90,6

Material AISI 316 L

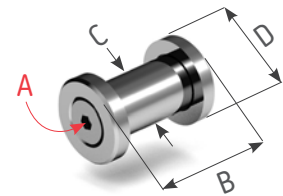
FORK NUT



Part Number Right threaded	Part Number Left threaded	Rope Ø mm	Dimensions in mm		
			A	B	C
IR-302-006-00	IR-302-006-01	4	M6	9	6
IR-302-010-00	IR-302-010-01	6	M10	14,5	8
IR-302-012-00	IR-302-012-01	8	M12	17,5	10
IR-302-014-00	IR-302-014-01	10	M14	20,5	10
IR-302-016-00	IR-302-016-01	12	M16	23,5	12
IR-302-020-00	IR-302-020-01	14	M20	28	15
IR-302-024-00	IR-302-024-01	16	M24	35	16
IR-302-027-00	IR-302-027-01	18	M27	36	20
IR-302-030-00	IR-302-030-01	20	M30	40	20
IR-302-030-00	IR-302-030-01	22	M30	40	20
IR-302-036-00	IR-302-036-01	24	M36	50	25
IR-302-036-00	IR-302-036-01	26	M36	50	25

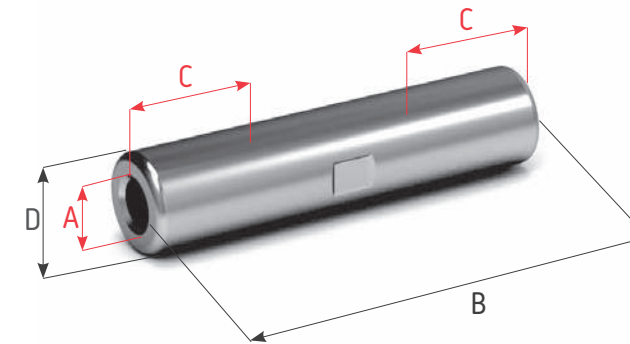
Material AISI 316 L

PIM/PIM COVER



Part Number Right threaded	Rope Ø mm	Dimensions in mm			
		A	B	C	D
IR-303-004-00	4	M3	14	6	9.5
IR-303-006-00	6	M4	22	10	15.5
IR-303-008-00	8	M4	26	12	18.5
IR-303-010-00	10	M4	29	15	22
IR-303-012-00	12	M5	34	18	25
IR-303-014-00	14	M5	42	20	38
IR-303-016-00	16	M6	52	26	38
IR-303-018-00	18	M6	54	28	45
IR-303-020-00	20	M6	60	30	52
IR-303-022-00	22	M6	60	30	52
IR-303-024-00	24	M8	76	36	65
IR-303-026-00	26	M8	76	36	65

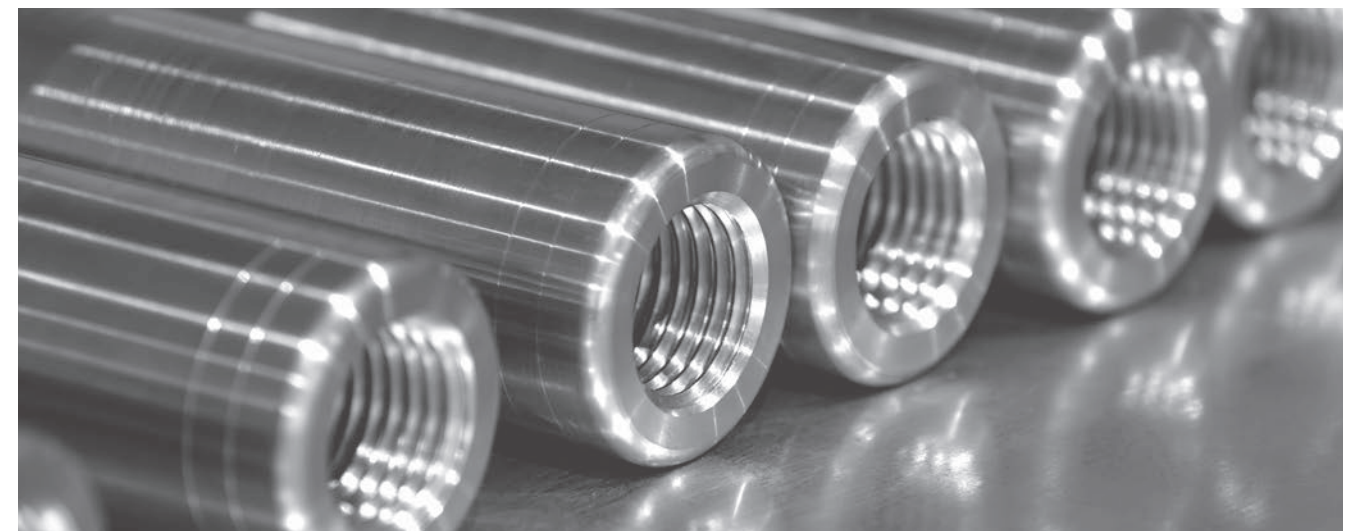
Material AISI 316 L



TURNBUCKLE

Part Number	Rope Ø mm	Dimensions in mm			
		A	B	C	D
IR-565-006-00	4	M6	65	12	10
IR-565-008-00	6	M8	70	12	16
IR-565-010-00	6	M10	80	13	19
IR-565-012-00	8	M12	104	15	20
IR-565-014-00	10	M14	136	20	25
IR-565-016-00	12	M16	158	25	28

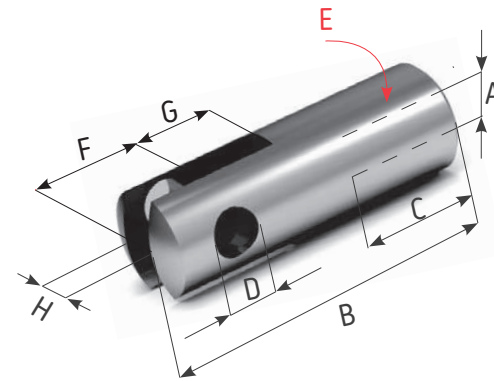
Material AISI 316 L



CYLINDRICAL FORK WITH INTERNAL THREAD

Part Number Right threaded	Part Number Left threaded	Rope Ø mm	Dimensions in mm							
			A	B	C	D	E	F	G	H
IR-308-006-00	IR-308-006-01	4	M6	45	20	6	14	8	9	6
IR-308-008-00	IR-308-008-00	6	M8	55	25	8	18	12	13	7
IR-308-010-01	IR-308-010-01	6	M10	70	30	10	22	15	15	8
IR-308-012-00	IR-308-012-00	8	M12	80	35	12	26	17	18	10
IR-308-014-00	IR-308-014-00	10	M14	90	35	14	30	19	20	11
IR-308-016-00	IR-308-016-00	12	M16	100	40	16	34	22	22	12
IR-308-020-00	IR-308-020-00	14	M20	120	40	20	42	27	27	15
IR-308-024-00	IR-308-024-00	16	M24	150	40	22	52	34	34	18

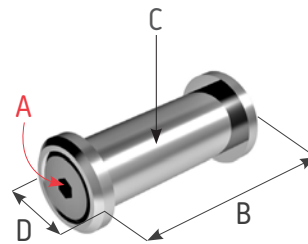
Material AISI 316 L



PIM/PIM COVER

Part Number Right threaded	Rope Ø mm	Dimensions in mm			
		A	B	C	D
IR-306-004-00	4	M3	17,5	5,5	9
IR-306-006-00	6	M3	22,1	7,2	12
IR-306-008-00	8	M4	31	11,5	18
IR-306-010-00	10	M5	36,5	13,5	20
IR-306-012-00	12	M5	42,5	15,5	22
IR-306-014-00	14	M6	47,5	19	26
IR-306-016-00	16	M6	58	21	28

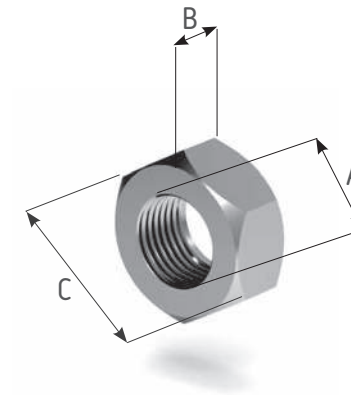
Material AISI 316 L



HEXAGON NUT

Part Number Right threaded	Part Number Left threaded	Thread	Dimensions in mm		
			A	B	C
944-006-00	944-006-01	M6	5	10	
944-008-00	944-008-02	M8	6,5	13	
944-010-00	944-010-01	M10	8	17	
944-012-00	944-012-01	M12	10	19	
944-014-00	944-014-01	M14	11	22	
944-016-00	944-016-01	M16	13	24	
944-020-00	944-020-01	M20	16	30	
944-024-00	944-024-01	M24	19	36	
944-027-00	944-027-01	M27	24	41	
944-030-00	944-030-01	M30	24	46	
944-036-00	944-036-01	M36	31	55	
944-042-00	944-042-01	M42	34	65	
944-048-00	944-048-01	M48	38	75	
944-052-00	944-052-01	M52	42	80	
944-056-00	944-056-01	M56	45	85	

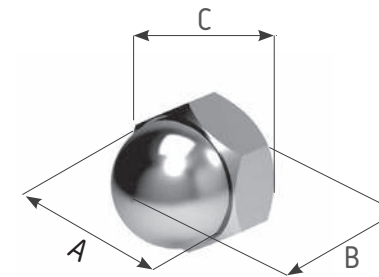
Material AISI 316



DOME NUT

Part Number Right threaded	Thread	Dimensions in mm		
		A	B	C
946-006-00	M6	12	10	
946-008-00	M8	15	13	
946-010-00	M10	18	17	
946-012-00	M12	22	19	
946-014-00	M14	25	22	
946-016-00	M16	28	24	
946-020-00	M20	34	30	
946-024-00	M24	42	36	

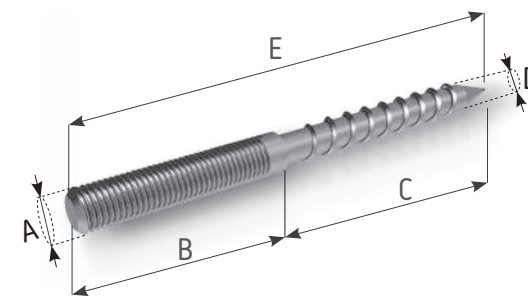
Material AISI 316

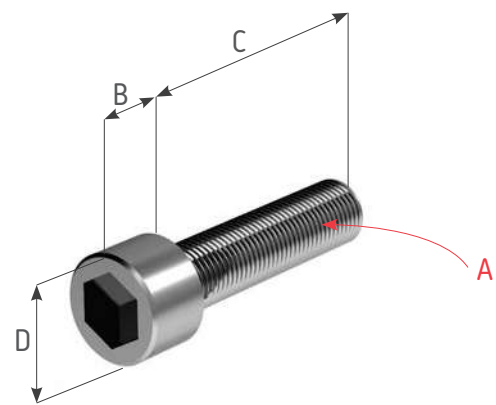


DUAL THREAD SCREW

Part Number Right threaded	Part Number Left threaded	Thread	Dimensions in mm				
			A	B	C	D	E
917-005-00	918-005-00	M5	20	30	4,3	50	
917-006-00	918-006-00	M6	30	40	5,2	70	
917-008-00	918-008-00	M8	40	60	6,9	100	
917-010-00	-	M10	30	40	8,9	70	
917-014-00	-	M12	30	80	12	110	

Material AISI 316

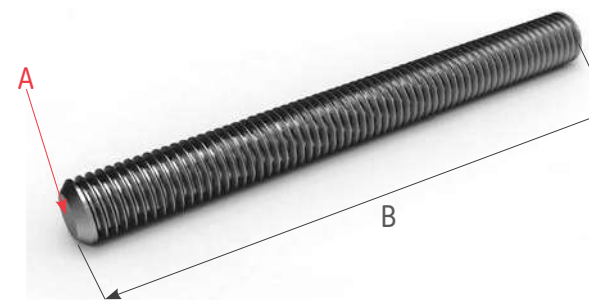




SOCKET HEAD SCREW

Part Number	Thread	Dimensions in mm		
	A	B	C	D
930-004-00	M4	4	25	7
930-005-00	M5	5	25	8,5
930-006-00	M6	6	30	10
930-008-00	M8	8	35	13
930-010-00	M10	10	40	16
930-012-00	M12	12	50	18
930-016-00	M16	16	60	24
930-020-00	M20	20	70	30

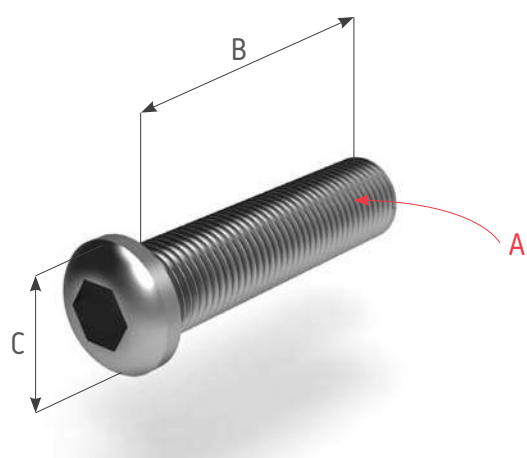
Material AISI 316



THREADED ROD

Part Number	Part Number	Thread	Dimensions in mm
		A	B
919-006-0100-00	919-006-0100-01	M6	100
919-006-1000-00	919-006-1000-01	M6	1000
919-008-0100-00	919-008-0100-01	M8	100
919-008-1000-00	919-008-1000-01	M8	1000
919-010-0100-00	919-010-0100-01	M10	100
919-010-1000-00	919-010-1000-01	M10	1000
919-012-0100-00	919-012-0100-01	M12	100
919-012-1000-00	919-012-1000-01	M12	1000
919-014-0100-00	919-014-0100-01	M14	100
919-014-1000-00	919-014-1000-01	M14	1000
919-016-0100-00	919-016-0100-01	M16	100
919-016-1000-00	920-016-1000-01	M16	1000

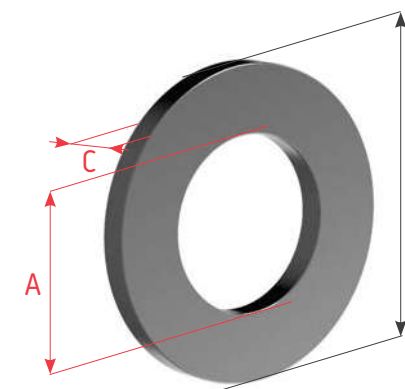
Material AISI 316



PAN HEAD SCREW

Part Number	Thread	Dimensions in mm	
	A	B	C
932-004-20	M4	20	7.5
932-004-25	M4	25	7.5
932-005-25	M5	25	9.5
932-005-30	M5	30	9.5
932-006-25	M6	25	10.5
932-006-30	M6	30	10.5
932-008-30	M8	30	14
932-008-40	M8	40	14
932-010-30	M10	30	17.5
932-010-40	M10	40	17.5
932-012-30	M12	30	21
932-012-50	M12	50	21

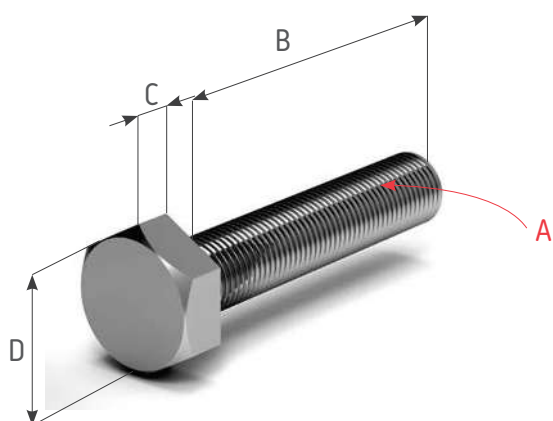
Material AISI 316



WASHER

Part Number	Thread	Dimensions in mm	
	A	B	C
937-004-00	M4	9	0,5
937-006-00	M6	11	1
937-008-00	M8	15	1,6
937-010-00	M10	18	1,6
937-012-00	M12	20	1,6
937-014-00	M14	25	2
937-016-00	M16	28	2,5
937-020-00	M20	34	2,5
937-022-00	M22	39	3
937-024-00	M24	39	3
937-030-00	M30	56	4

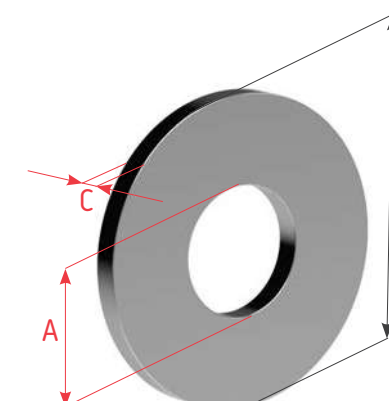
Material AISI 316



HEXAGON HEAD SCREW

Part Number	Thread	Dimensions in mm		
	A	B	C	D
934-004-00	M4	25	2,8	7
934-005-00	M5	30	3,5	8
934-006-00	M6	30	4	10
934-008-00	M8	40	5,3	13
934-010-00	M10	50	6,4	17
934-012-00	M12	70	7,5	19
934-014-00	M14	70	8,8	22
934-016-00	M16	90	10	24
934-020-00	M20	100	12,5	30

Material AISI 316



WASHER FOR WOOD

Part Number	Thread	Dimensions in mm	
	A	B	C
939-004-00	M4	12	1
939-006-00	M6	15	1.2
939-008-00	M8	18	1.6
939-010-00	M10	24	2
939-012-00	M12	30	2.5
939-014-00	M14	37	3
939-016-00	M16	50	3

Material AISI 316

I-ROPE® TENSION SYSTEMS

Both sides turnbuckle with fork and roll swaged fitting

IRS 330-004-040



One side turnbuckle with fork and swaged fitting, other side fork with roll swaged fitting

IRS 340-004-040



Both sides fork with swaged fitting

IRS 350-004-040



One side fork with swaged fitting other side swaged fitting

IRS 360-004-040



Both sides with swaged fitting

IRS 120-004-040



One side turnbuckle with threaded rod and roll swaged fitting, other side roll swaged fitting

IRS-125-004-016

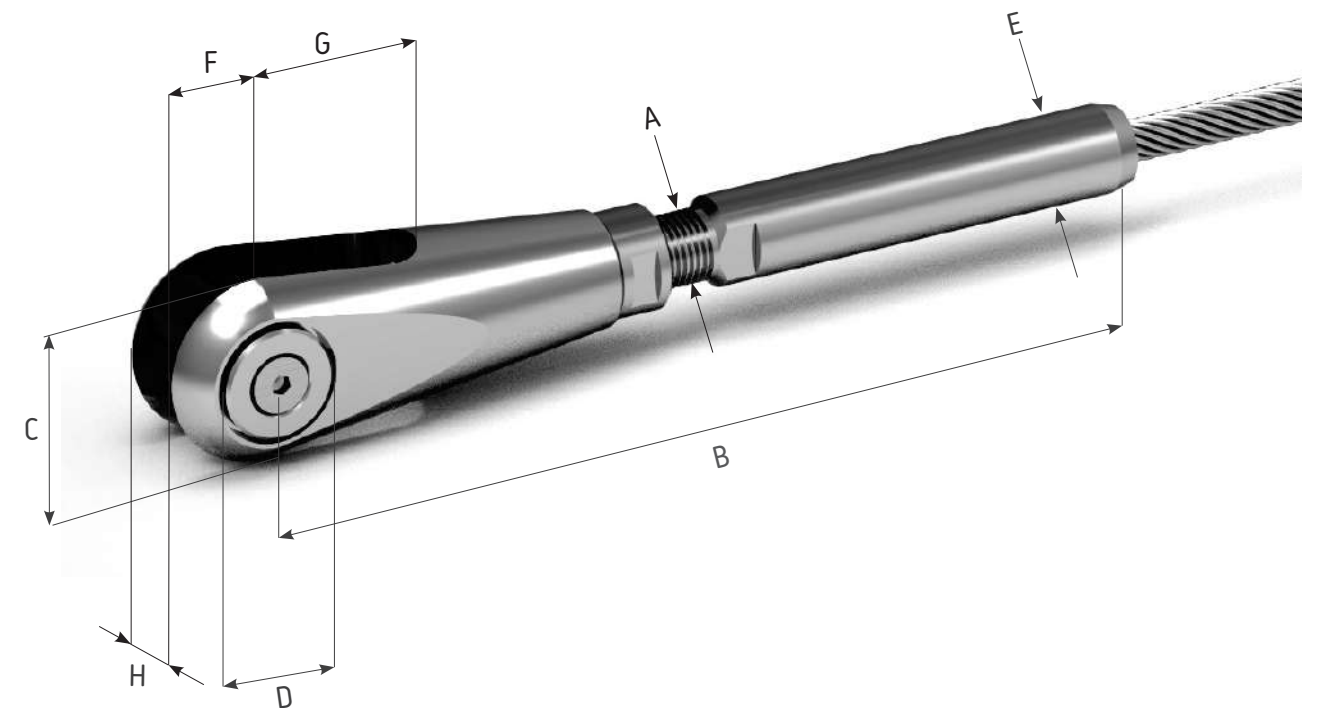


I-ROPE® TENSION SYSTEMS

FORK WITH ROLL SWAGED FITTING

Part Number	Rope Ø mm	Dimensions in mm							
		A	B	C	D	E	F	G	H
IR-315-004-00	4	M6	82,2	15,5	6	7,5	8	11,5	6,6
IR-315-006-00	6	M10	132	25,7	10	12,5	12,9	19,7	11
IR-315-008-00	8	M12	164	29,7	12	16	14,8	22	12
IR-315-010-00	10	M14	195	34,6	15	17,8	17,3	25,7	14
IR-315-012-00	12	M16	225	39,6	18	21,4	19,8	29,3	16
IR-315-014-00	14	M20	293	52,6	20	25	26,3	38,7	16
IR-315-016-00	16	M24	328	60,1	26	28	30	45	22
IR-315-018-00	18	M27	353	66,5	28	34,5	34,1	48,2	22
IR-315-020-00	20	M30	415	75,9	30	40	37,9	55	22
IR-315-022-00	22	M30	435	75,9	30	40	37,9	55	22
IR-315-024-00	24	M36	480	90,6	36	46	45,5	64,2	27
IR-315-026-00	26	M36	485	90,6	36	46	45,5	64,2	27
IR-315-028-00	28	M42	533	104,3	40	50	52,1	74,9	35
IR-315-030-00	30	M48	561	107,1	50	58	53,6	78,4	42
IR-315-032-00	32	M48	571	107,1	50	58	53,6	78,4	42
IR-315-034-00	34	M52	595	115	50	65	57,6	84,7	47
IR-315-036-00	36	M52	610	115	50	65	57,6	84,7	47
IR-315-038-00	38	M56	645	129,6	58	72	64,5	93,5	52
IR-315-040-00	40	M56	655	129,6	58	72	64,5	93,5	52

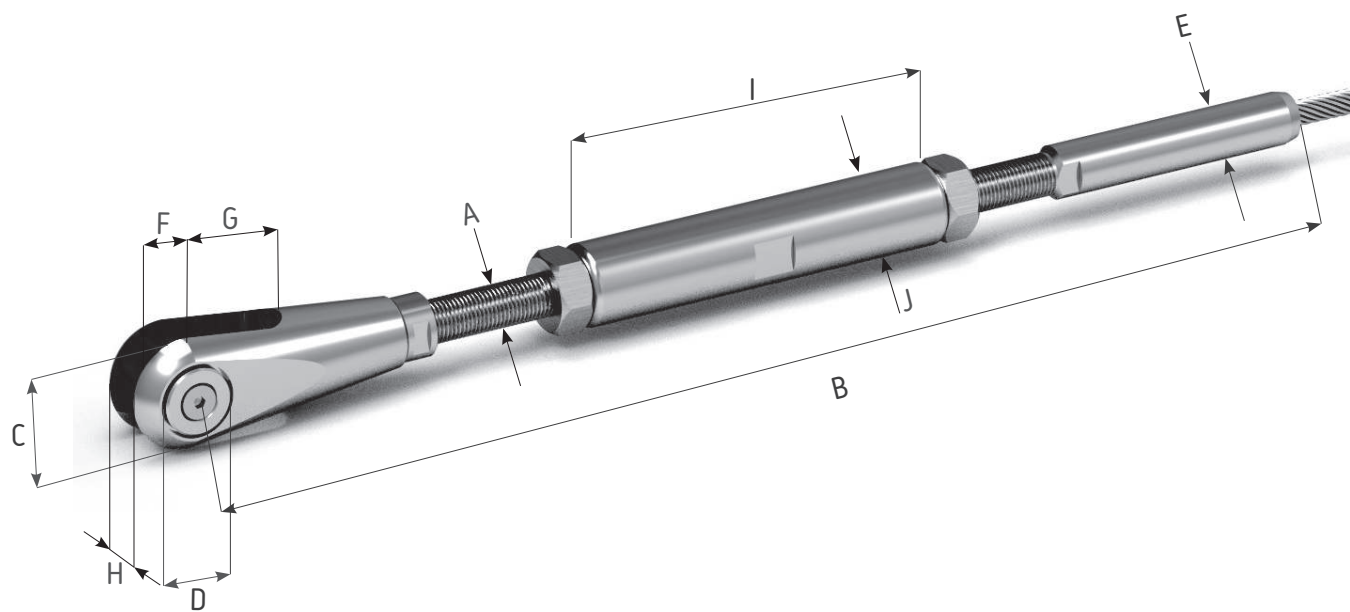
Material AISI 316 / 1.4462 Duplex



FORK WITH TURNBUCKLE AND ROLL SWAGED FITTING

Part Number	Rope Ø mm	Dimensions in mm											
		A	B	B _{max}	B _{min}	C	D	E	F	G	H	I	J
IR-325-004-00	4	M6	184,7	194,6	152,6	15,5	6	7,5	8	11,5	6,6	65	10
IR-325-006-00	6	M10	274	287	223	25,7	10	12,5	12,9	19,7	11	80	19
IR-325-008-00	8	M12	342	358	281	29,7	12	16	14,8	22	12	104	20
IR-325-010-00	10	M14	417	437	347	34,6	15	17,8	17,3	25,7	14	136	25
IR-325-012-00	12	M16	488	518	409	39,6	18	21,4	19,8	29,3	16	158	28
IR-325-014-00	14	M20	608	638	517	52,6	20	25	26,3	38,7	16	190	38
IR-325-016-00	16	M24	730	761	599	60,1	26	28	30	45	22	230	40
IR-325-018-00	18	M27	768	799	642	66,5	28	34,5	34,1	48,2	22	245	45
IR-325-020-00	20	M30	870	910	733	75,9	30	40	37,9	55	22	271	50
IR-325-022-00	22	M30	885	925	739	75,9	30	40	37,9	55	22	271	50
IR-325-024-00	24	M36	965	1015	812	90,6	36	46	45,5	64,2	27	290	55
IR-325-026-00	26	M36	975	1025	822	90,6	36	46	45,5	64,2	27	290	55
IR-325-028-00	28	M42	1117	1167	934	104,3	40	50	52,1	74,9	35	340	65
IR-325-030-00	30	M48	1231	1291	1018	107,1	50	58	53,6	78,4	42	400	70
IR-325-032-00	32	M48	1241	1301	1028	107,1	50	58	53,6	78,4	42	400	70
IR-325-034-00	34	M52	1304	1369	1084	115	50	65	57,6	84,7	47	425	75
IR-325-036-00	36	M52	1330	1395	1094	115	50	65	57,6	84,7	47	425	75
IR-325-038-00	38	M56	1375	1455	1150	129,6	58	72	64,5	93,5	52	430	85
IR-325-040-00	40	M56	1415	1495	1160	129,6	58	72	64,5	93,5	52	430	85

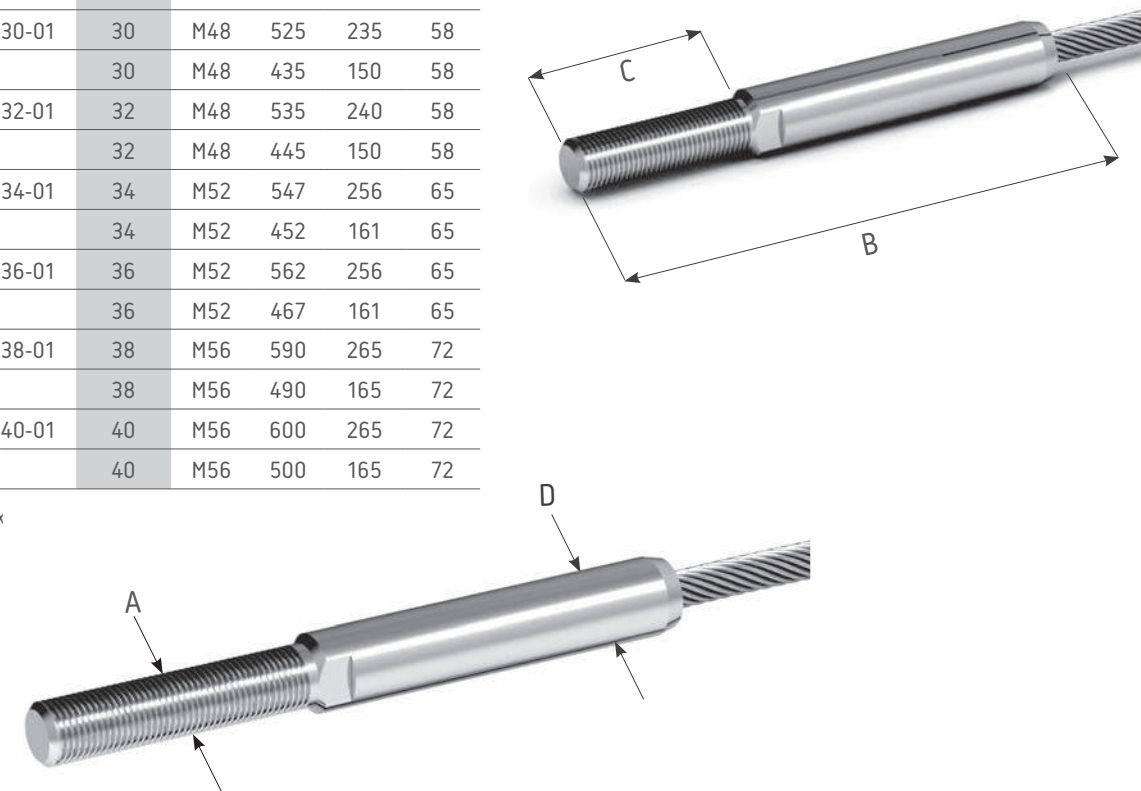
Material AISI 316 / 1.4462 Duplex



EXTERNAL THREAD ROLL SWAGED FITTING

Part Number	Part Number	Rope Ø mm	Dimensions in mm			
			A	B	C	D
IR-150-004-00	IR-150-004-01	4	M6	75	35	7,5
IR-155-004-00		4	M6	63	20	7,5
IR-150-006-00	IR-150-006-01	6	M10	109	45	12,5
IR-155-006-00		6	M10	99	35	12,5
IR-150-008-00	IR-150-008-01	8	M12	144	60	16
IR-155-008-00		8	M12	129	45	16
IR-150-010-00	IR-150-010-01	10	M14	180	76	17,8
IR-155-010-00		10	M14	155	51	17,8
IR-150-012-00	IR-150-012-01	12	M16	215	90	21,4
IR-155-012-00		12	M16	180	55	21,4
IR-150-014-00	IR-150-014-01	14	M20	278	115	25
IR-155-014-00		14	M20	228	65	25
IR-150-016-00	IR-150-016-01	16	M24	313	130	28
IR-155-016-00		16	M24	258	75	28
IR-150-018-00	IR-150-018-01	18	M27	332	146	34,5
IR-155-018-00		18	M27	277	91	34,5
IR-150-020-00	IR-150-020-01	20	M30	397	162	40
IR-155-020-00		20	M30	334	100	40
IR-150-022-00	IR-150-022-01	22	M30	410	170	40
IR-155-022-00		22	M30	345	105	40
IR-150-024-00	IR-150-024-01	24	M36	425	175	46
IR-155-024-00		24	M36	370	120	46
IR-150-026-00	IR-150-026-01	26	M36	435	175	46
IR-155-026-00		26	M36	380	120	46
IR-150-028-00	IR-150-028-01	28	M42	480	205	50
IR-155-028-00		28	M42	407	132	50
IR-150-030-00	IR-150-030-01	30	M48	525	235	58
IR-155-030-00		30	M48	435	150	58
IR-150-032-00	IR-150-032-01	32	M48	535	240	58
IR-155-032-00		32	M48	445	150	58
IR-150-034-00	IR-150-034-01	34	M52	547	256	65
IR-155-034-00		34	M52	452	161	65
IR-150-036-00	IR-150-036-01	36	M52	562	256	65
IR-155-036-00		36	M52	467	161	65
IR-150-038-00	IR-150-038-01	38	M56	590	265	72
IR-155-038-00		38	M56	490	165	72
IR-150-040-00	IR-150-040-01	40	M56	600	265	72
IR-155-040-00		40	M56	500	165	72

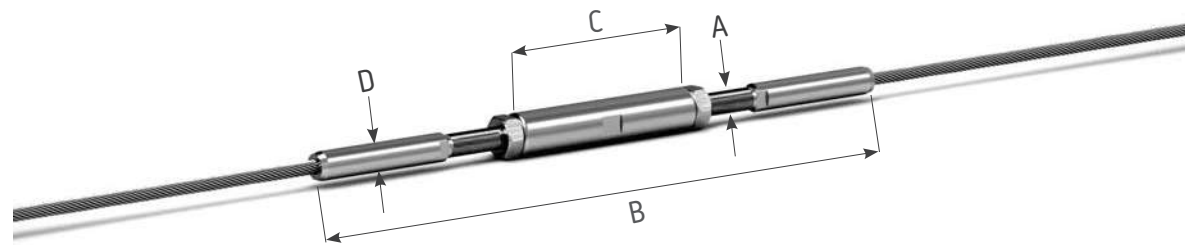
Material AISI 316 / 1.4462 Duplex



TURNBUCKLE WITH ROLL SWAGED FITTING

Part Number	Rope Ø mm	Dimensions in mm					
		A	B	B _{max}	B _{min}	C	D
IR-180-004-00	4	M6	194	206	162	65	7,5
IR-180-006-00	6	M10	271	284	230	80	12,5
IR-180-008-00	8	M12	361	376	298	104	16
IR-180-010-00	10	M14	456	476	378	136	17,8
IR-180-012-00	12	M16	548	568	444	158	21,4
IR-180-014-00	14	M20	686	716	560	190	25
IR-180-016-00	16	M24	796	822	648	230	28
IR-180-018-00	18	M27	833	873	683	245	34,5
IR-180-020-00	20	M30	983	1023	806	271	40
IR-180-022-00	22	M30	1011	1051	822	271	40
IR-180-024-00	24	M36	1040	1090	866	290	46
IR-180-026-00	26	M36	1060	1110	886	290	46
IR-180-028-00	28	M42	1200	1250	980	340	50
IR-180-030-00	30	M48	1330	1390	1070	400	58
IR-180-032-00	32	M48	1350	1410	1090	400	58
IR-180-034-00	34	M52	1375	1440	1113	425	65
IR-180-036-00	36	M52	1419	1484	1143	425	65
IR-180-038-00	38	M56	1450	1530	1200	430	72
IR-180-040-00	40	M56	1470	1550	1220	430	72

Material AISI 316 / 1.4462 Duplex



I-ROD® SYSTEMS

I-ROD® tension rod systems are ideal for a variety of applications, including canopies, glass facades, bridges, bus stations, and airport terminals. Made from high-quality stainless steel, these systems combine strength, stability, and sustainability, offering versatile solutions that enhance architectural designs.

I-ROD® systems meet both aesthetic and structural requirements, ensuring long-lasting durability. With sizes from M10 to M30 and galvanized steel options in addition to AISI 316, I-ROD® systems offer flexibility for projects of any scale. Pre-assembled to precise specifications, I-ROD® ensures easy integration and efficient installation, saving time and resources on-site.

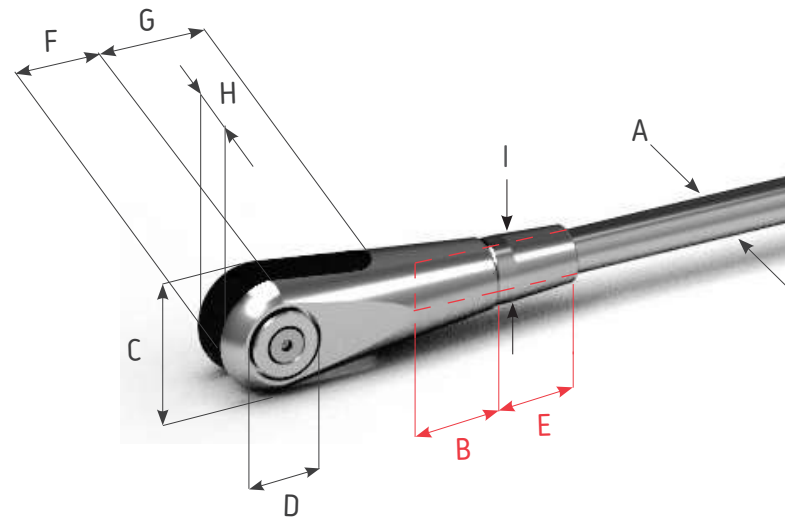
68
70
72

I-ROD® Accessories

FORK

Part Number	System Thread	Rod Ø mm	Dimensions in mm							
			A	B	C	D	E	F	G	H
IRD-610-010-00	M10	10	20	25.7	10	20	12.9	19.7	11	15
IRD-610-012-00	M12	12	24	29.7	12	23	14.8	22	12	18
IRD-610-016-00	M16	16	32	39.6	18	28	19.8	29.3	16	24
IRD-610-020-00	M20	20	40	52.6	20	35	26.3	38.7	16	28
IRD-610-024-00	M24	25	48	60.1	26	42	30	45	22	35
IRD-610-027-00	M27	28	55	66.5	28	47	34.1	48.2	22	36
IRD-610-030-00	M30	30	60	75.9	30	53	37.9	55	22	40

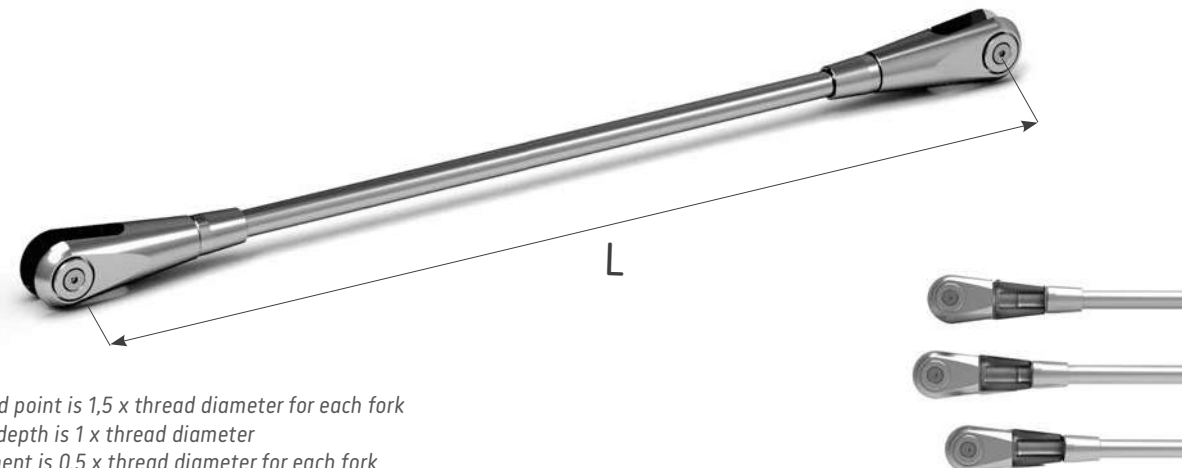
Material AISI 316 L / 1.4462 Duplex



BOTH SIDES FORK SET

Set Number	System Thread	Rod Ø A(mm)	Max. Rod Length (mm)	Max. Set Length (L) max.(mm)	Min. Set Length (L) min.(mm)	Length Adjustment L +/- (mm)
IRDS-601-010	M10	10	6000	6084	294	10
IRDS-601-012	M12	12	6000	6096	316	12
IRDS-601-016	M16	16	6000	6128	366	16
IRDS-601-020	M20	20	6000	6170	480	20
IRDS-601-024	M24	25	6000	6192	524	24
IRDS-601-027	M27	28	6000	6217	615	28
IRDS-601-030	M30	30	6000	6240	656	30

Material AISI 316 L / 1.4462 Duplex

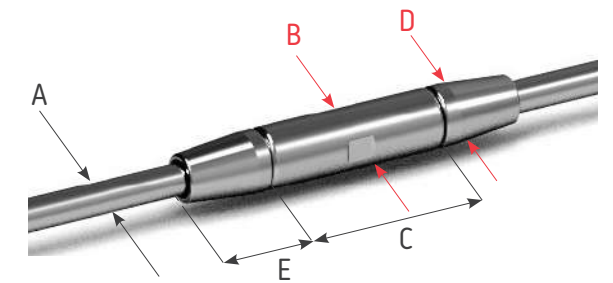


set up thread point is 1,5 x thread diameter for each fork
min. thread depth is 1 x thread diameter
fork adjustment is 0,5 x thread diameter for each fork

TURNBUCKLE

Part Number	System Thread	Rod Ø mm	Dimensions in mm			
			A	B	C	D
IRD-620-010-00	M10	10	19	65	19	27
IRD-620-012-00	M12	12	20	71	20	30
IRD-620-016-00	M16	16	28	79	28	37
IRD-620-020-00	M20	20	38	85	38	47
IRD-620-024-00	M24	25	40	105	40	58
IRD-620-027-00	M27	28	45	109	45	62
IRD-620-030-00	M30	30	50	145	50	65

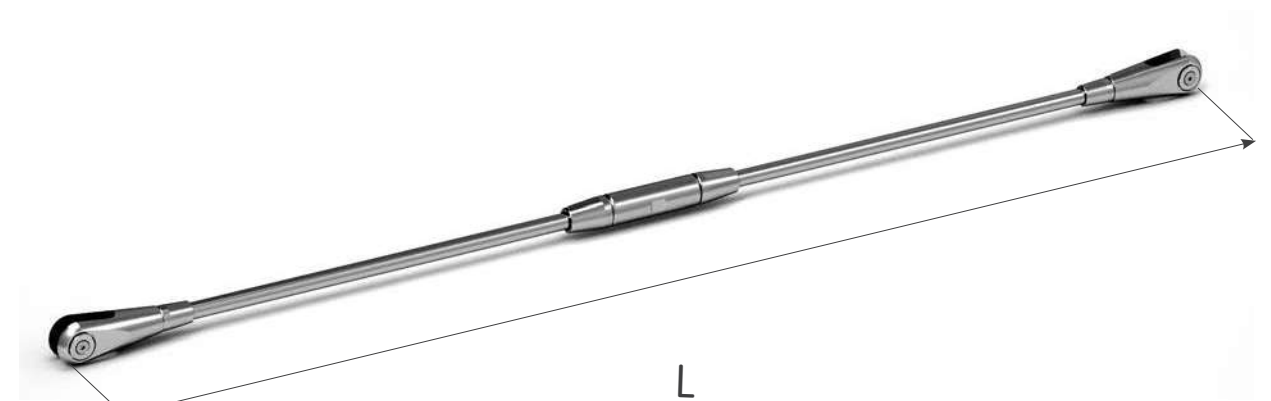
Material AISI 316 L / 1.4462 Duplex



BOTH SIDES FORK WITH TURNBUCKLE SET

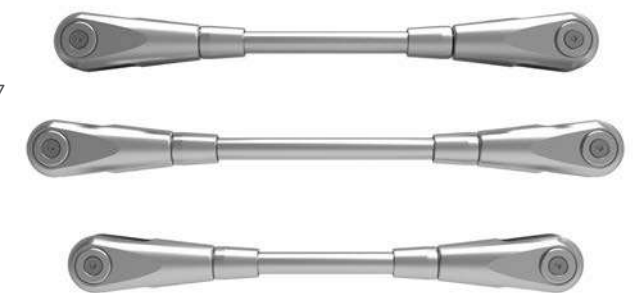
Set Number	System Thread	Rod Ø A(mm)	Max. Rod Length (mm)	Max. Set Length (L) max.(mm)	Min. Set Length (L) min.(mm)	Length Adjustment L +/- (mm)
IRDS-602-010	M10	10	6000	12129	563	30
IRDS-602-012	M12	12	6000	12141	597	32
IRDS-602-016	M16	16	6000	12175	669	36
IRDS-602-020	M20	20	6000	12215	859	40
IRDS-602-024	M24	25	6000	12249	945	49
IRDS-602-027	M27	28	6000	12272	1098	53
IRDS-602-030	M30	30	6000	12325	1181	70

Material AISI 316 L / 1.4462 Duplex

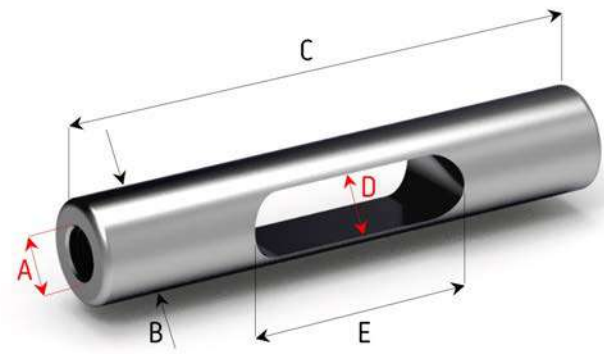


Material AISI 316 L / 1.4462 Duplex

set up thread point is "thread diameter + 10 mm" for each side of turnbuckle for M10-M20
"thread diameter + 12,5 mm" for each side of turnbuckle for M24-M27
"thread diameter + 20 mm" for each side of turnbuckle for M30
min. thread depth is 1 x thread diameter
turnbuckle adjustment is "+/- 20mm" for M10-M20
"+/- 25mm" for M24-M27
"+/- 40mm" for M30



I-ROD® Accessories

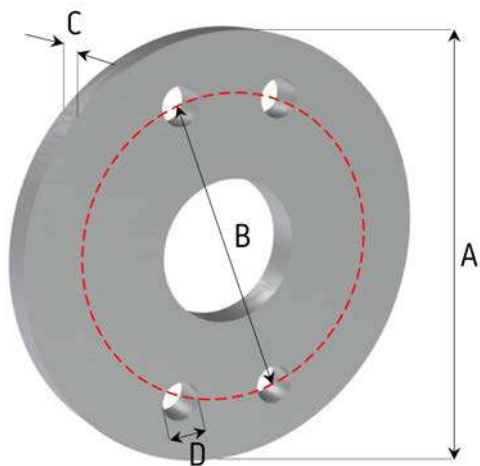
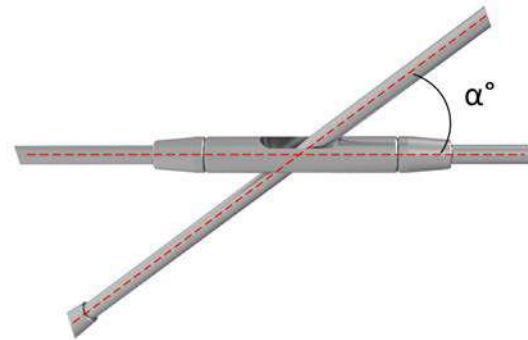


Connection angle α : between 40 and 90°

CROSS COUPLER

Part Number	System Thread	Dimensions in mm			
	A	B	C	D	E
IRD-630-010-00	M10	19	100	12	42
IRD-630-012-00	M12	22	112	15	48
IRD-630-016-00	M16	28	145	19	61
IRD-630-020-00	M20	38	181	23	79
IRD-630-024-00	M24	40	208	27	88
IRD-630-027-00	M27	45	227	30	99
IRD-630-030-00	M30	50	250	33	110

Material AISI316L

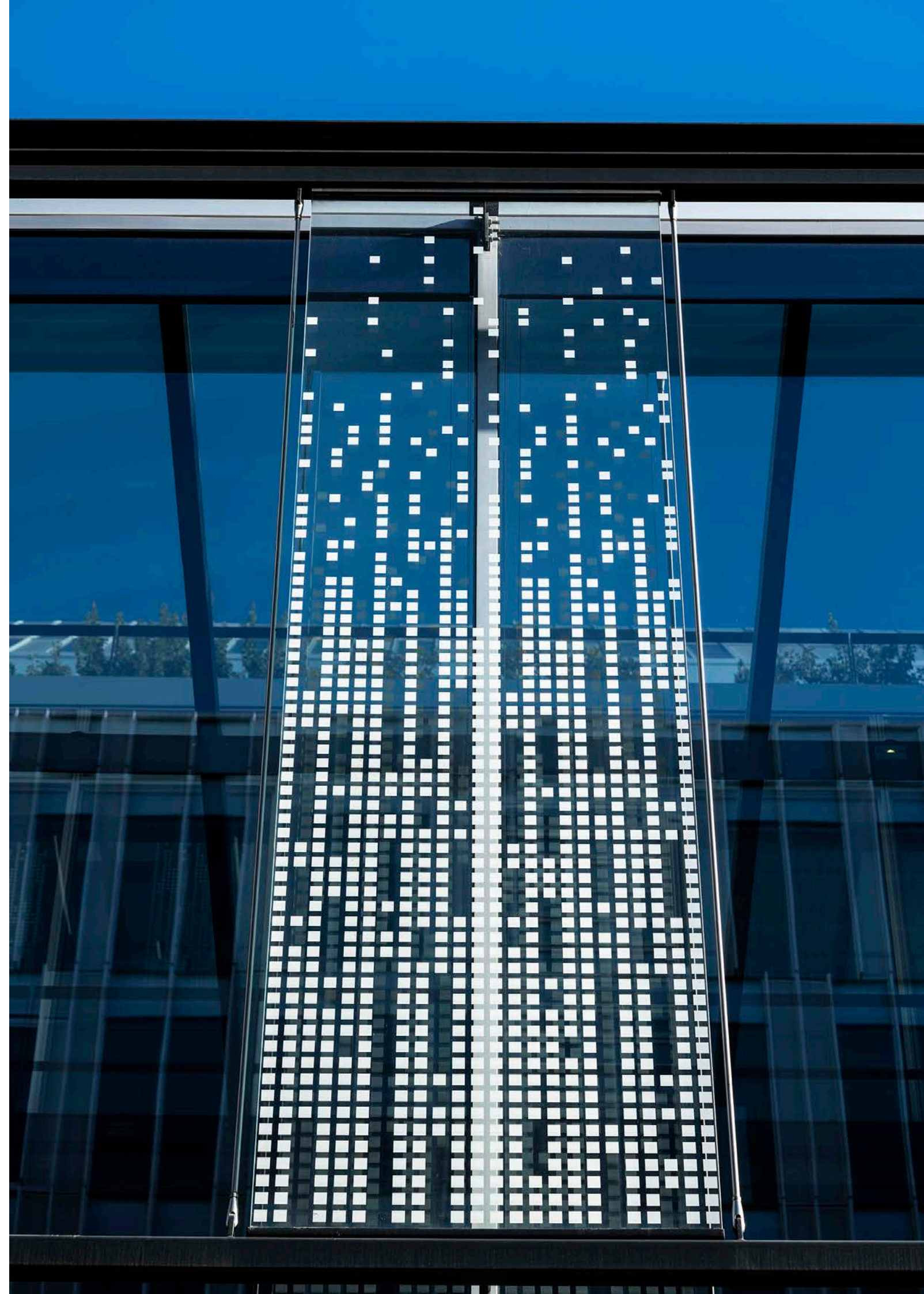
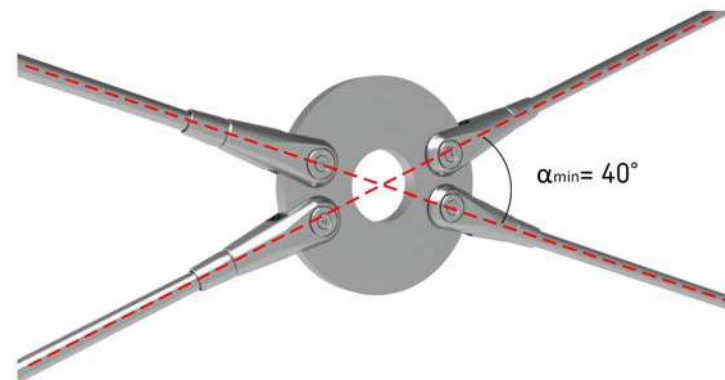


Custom manufacturing based on the project's requirements
Smallest connection angle α : 40°

CONNECTION DISC

Part Number	System Thread	Dimensions in mm			
	A	B	C	D	E
IRD-640-010-00	M10	120	87	10	11
IRD-640-012-00	M12	150	108	10	14
IRD-640-016-00	M16	187	130	12	19
IRD-640-020-00	M20	233	170	15	21
IRD-640-024-00	M24	281	200	20	27
IRD-640-027-00	M27	317	230	20	29
IRD-640-030-00	M30	343	250	20	31

Material AISI316L





GREENERY SYSTEMS

In recent years vertical greenery systems have become more popular and increased their presence in building design.

Providing better air quality, noise damping, increasing thermal insulation, and visual enhancement of the building profile are some of the benefits which make the green wall systems a great choice.

Stainless steel rope and net systems are the most long-life and low maintenance systems offering flexibility to suit a variety of plant species and wind loads. Stainless Steel Net Systems provide additional options, with closer weaves than horizontal and vertical cabling.

I-NET® and I-ROPE® greenery systems are very flexible, cost effective and environmentally friendly systems with easy planning and installation abilities. There are many factors to consider about choosing the correct greenery system such as, plant growth, load, grid structure, distance from wall and height.

Grid Structure: The type and growth size of the plant determines the grid structure.

Height: It is important that plant growth height does not exceed the height of the greenery system.




























Distance From Wall: The distance from the wall depends on the growth density and root style of the plant.

Load: Depends on the climate factors such as rain, snow, wind loads and the plant factors such as wood and fruit weight.

Plant Growth: The type of plant, plant root style and growth rate are important to choose the right system.

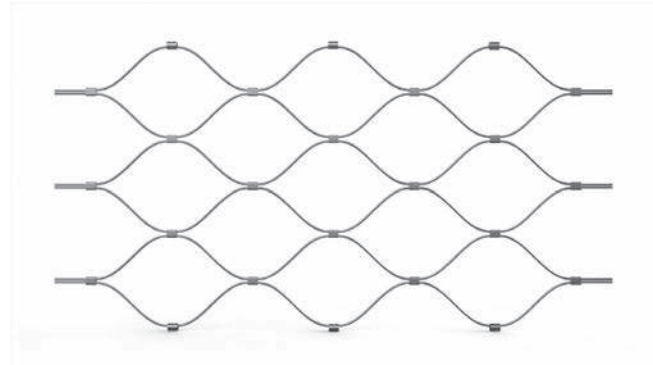
DESIGN AND PLANNING OF THE GREENERY SYSTEMS SHOULD BE DONE BY CONSIDERING THE IMPORTANT FACTORS WITH AN EXPERT.

GREENERY SYSTEM DESIGNING AND PLANING

Plant type	Plant name	Plant picture	Growing height (m)	Systems	Sytems's width & heights (mm)	Distance from wall(mm)
Vines (Twinning plants)	Wisteria		3-10	      	<p>System 1 Width: max.1500 Height: max.2000</p> <p>System 2 Width: max.1500 Height: max.2000</p> <p>System 3/ 4 / 6 / 7 / 8 Width: min.300 - max.800 Height: min.300 - max.2000</p>	90-150
	Lonicera (honeysuckles)		3-8			
	Actinida (kiwi)		4-9			
	Fallopia		2-12			
	Five leaf akebia		4-12			
Climbers	Ampelopsis		3-8	   	<p>System 3 / 4 / 7 / 8 Width: min.300 - max.800 Height: min.300 - max.2000</p>	90-150
	Passiflora (Passion flower)		3-10			
	Clematis		3-10			
	Clematis vitalba (Travelers joy)		3-10			
	Grape vine (vitis vinifera)		3-30			
Scrambling Plants	Jasminum		2-8	  	<p>System 3 / 4 Width: min.300 - max.800 Height: min.300 - max.2000</p> <p>System 5 Width: min.300 - max.2000</p>	90-150
	Rose		2-4			
	Rubus		2-4			

I-NET® GREENERY SYSTEMS

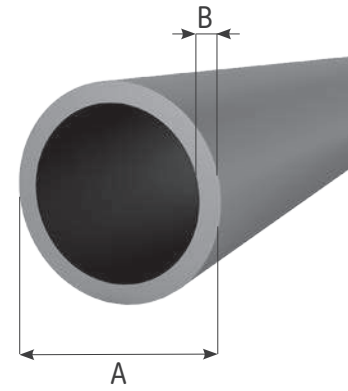
I-NET® GREENERY SYSTEM WITH FRAME



I-NET®

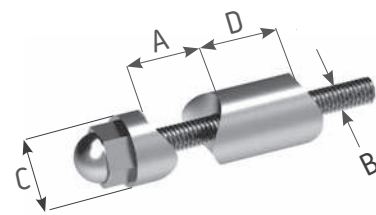
Part Number	Rope	Dimensions in mm	
	Ø mm	NW	NH
IN-110-150-120	1,5	120	208
IN-110-150-180	1,5	180	312

Material AISI 316 L
 "NW" net width
 "NH" net height



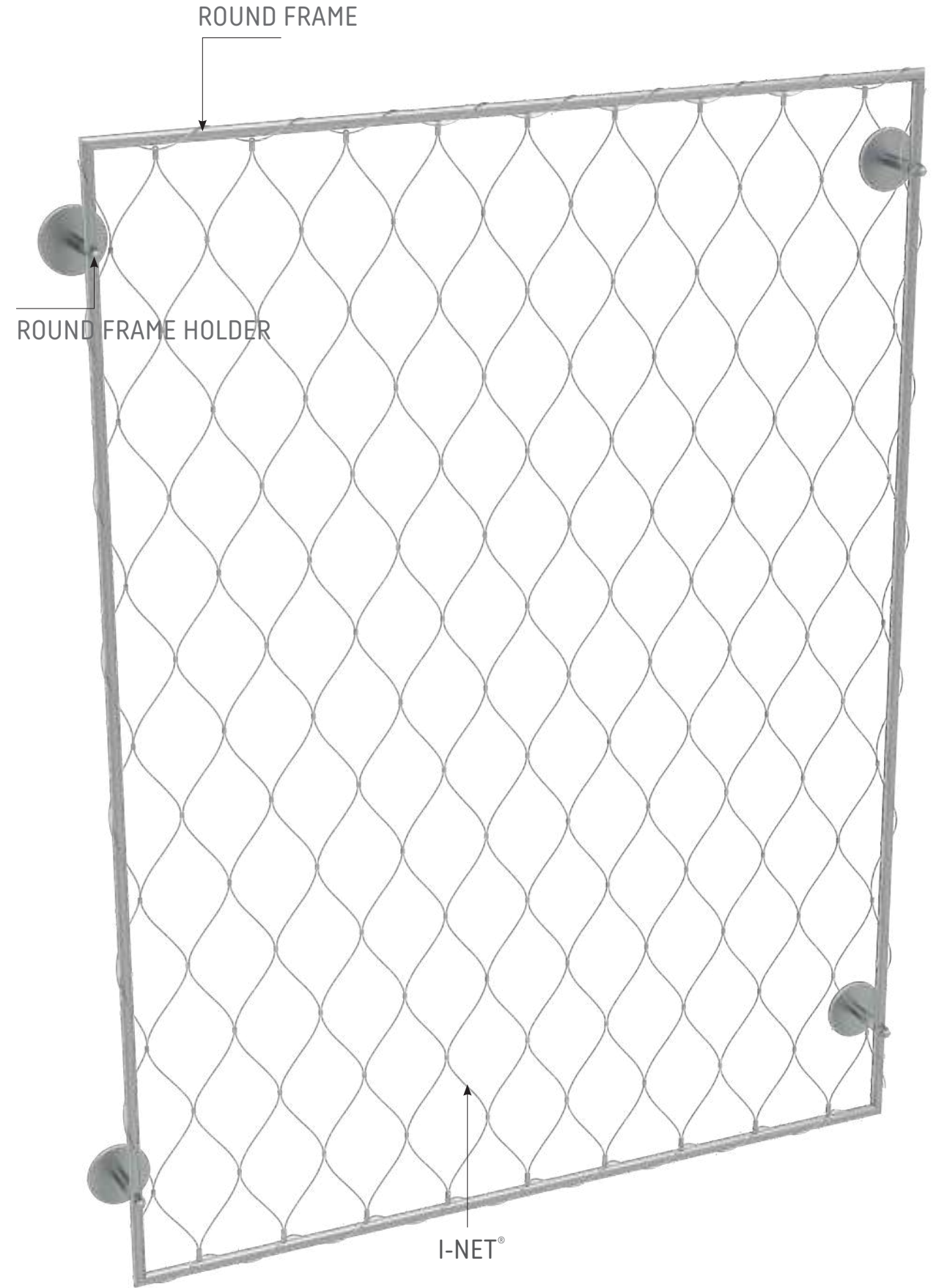
ROUND FRAME

Part Number	Dimensions in mm	
	A	B
IN-F-0021-020	21,3	2
IN-F-0026-020	26,9	2
IN-F-0033-026	33,7	2,6
IN-F-0042-026	42,4	2,6

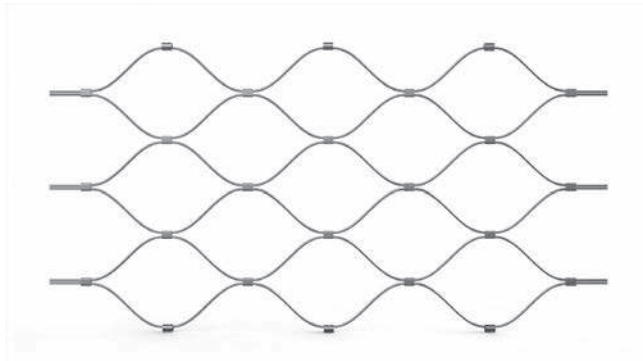


ROUND FRAME HOLDER

Part Number	Dimensions in mm			
	A	B	C	D
IN-FH1-0021-000-01	21,3	M6	16	25
IN-FH1-0026-000-01	26,9	M6	16	25
IN-FH1-0033-000-01	33,7	M8	20	25
IN-FH1-0042-000-01	42,4	M8	20	25



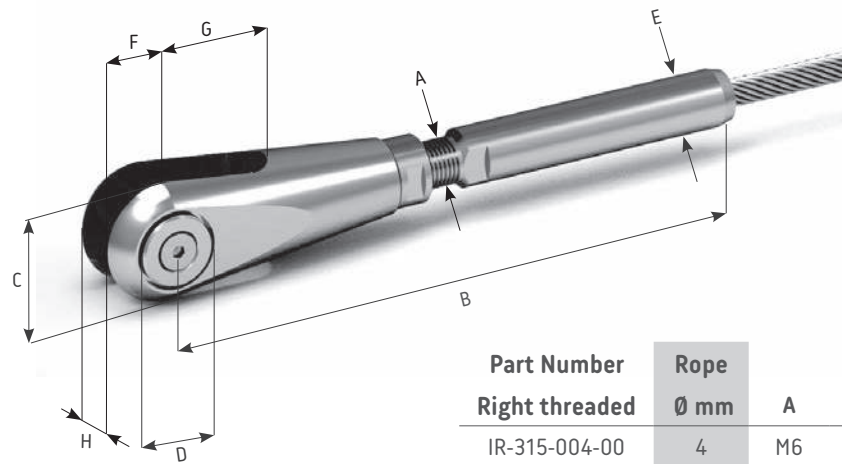
I-NET® GREENERY SYSTEM WITH I-ROPE®



I-NET®

Part Number	Rope	Dimensions in mm	
	Ø mm	NW	NH
IN-110-150-120	1,5	120	208
IN-110-150-180	1,5	180	312

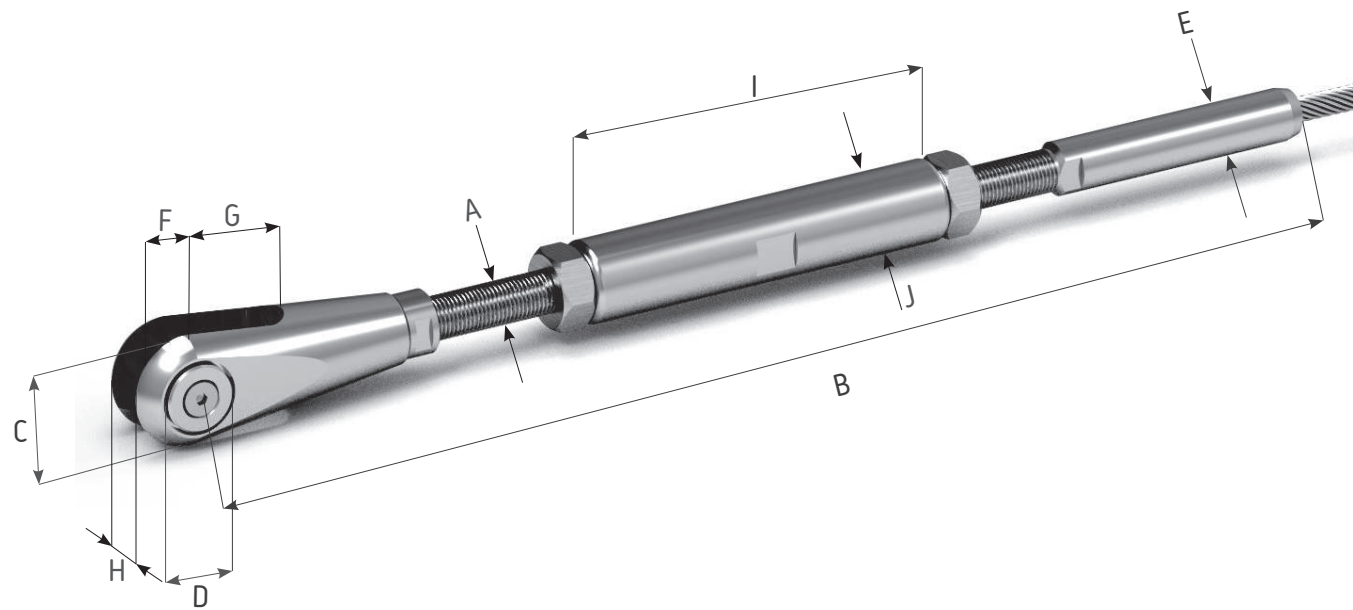
Material AISI 316 L
 "NW" net width
 "NH" net height



FORK WITH SWAGED FITTING

Part Number	Rope Ø mm	Dimensions in mm							
		A	B	C	D	E	F	G	H
IR-315-004-00	4	M6	89.2	15.5	6	7.5	8	11.5	6.6
IR-315-006-01	6	M8	107	20.6	8	12.5	11.2	14.8	8.8

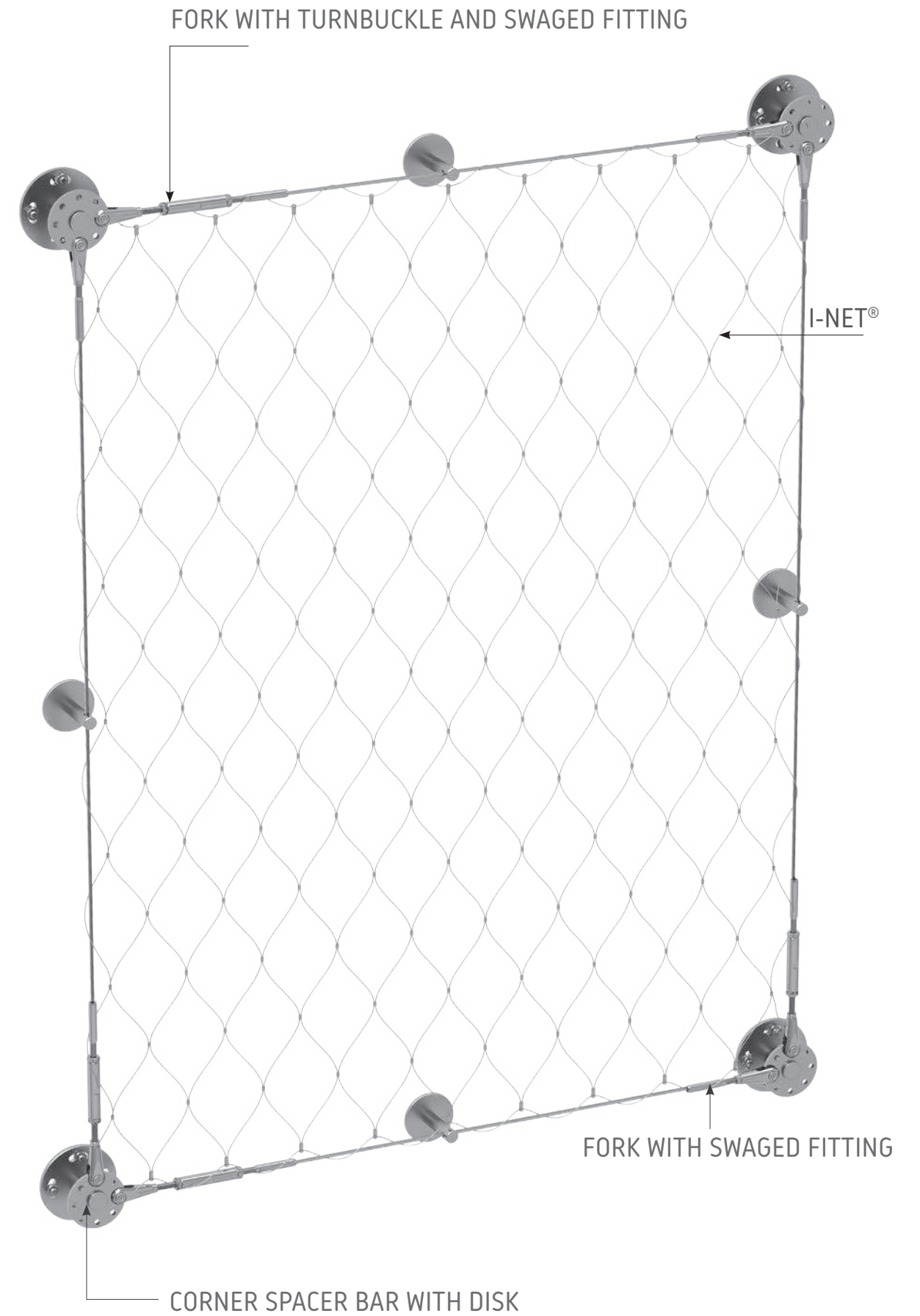
Material AISI 316 / 1.4462 Duplex



FORK WITH TURNBUCKLE AND SWAGED FITTING

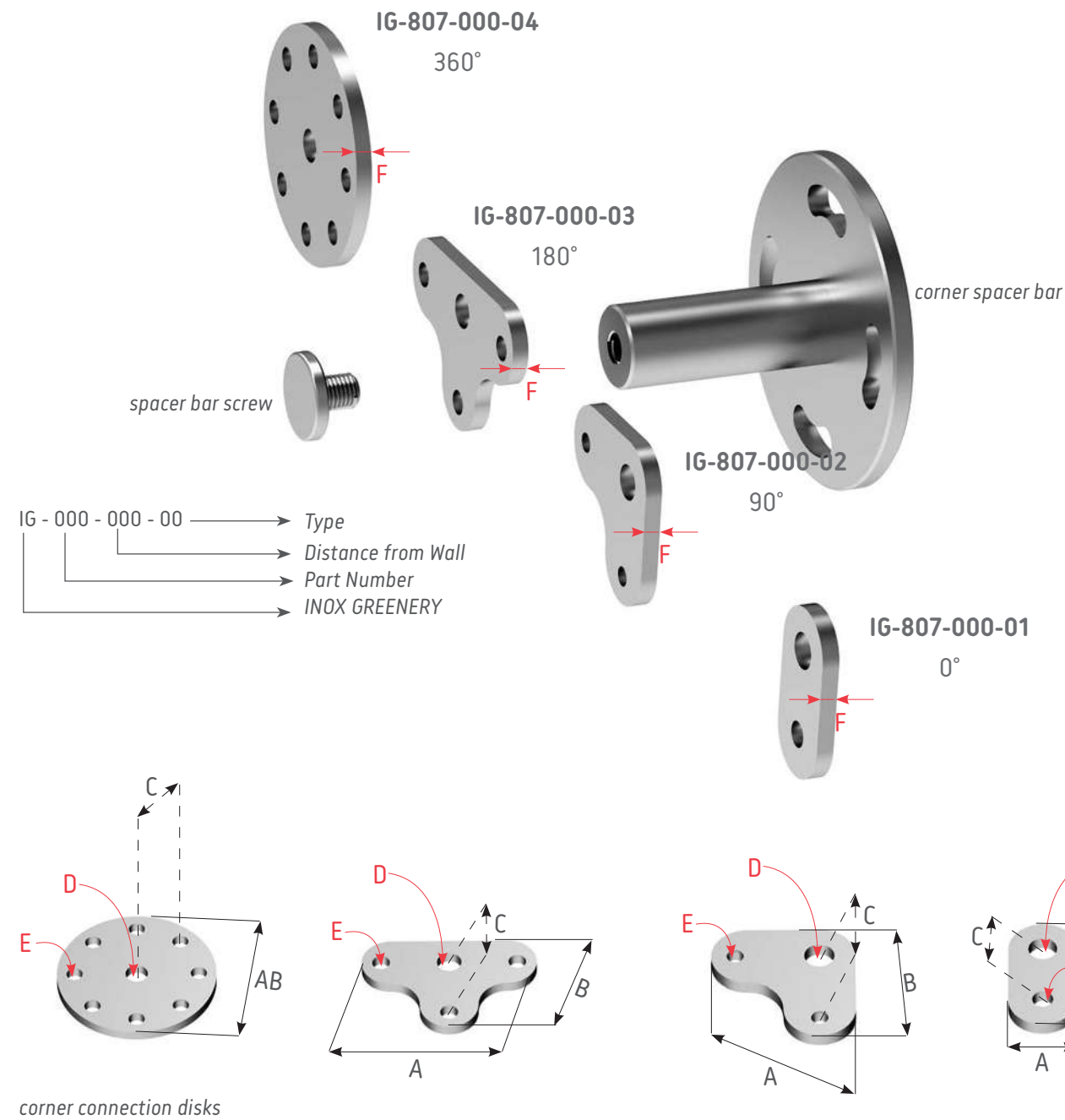
Part Number	Rope Ø mm	Dimensions in mm											
		A	B	B _{max}	B _{min}	C	D	E	F	G	H	I	J
IR-325-004-00	4	M6	185	195	153	15.5	6	7.5	8	11.5	6.6	65	10
IR-325-006-01	6	M8	224	287	186	20.6	8	12.5	11.2	14.8	8.8	70	16

Material AISI 316 / 1.4462 Duplex



I-NET® GREENERY SYSTEM WITH I-ROPE®

CORNER CONNECTION DISC TYPES



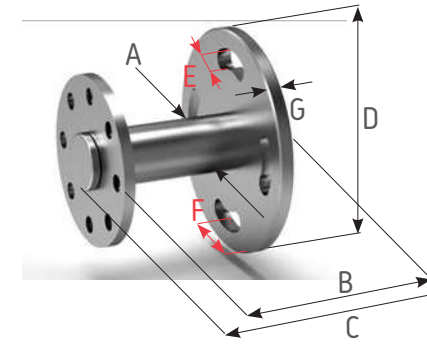
CORNER CONNECTION DISC

Part Number	Angle	Rope Ø mm	Dimensions in mm					
			A	B	C	D	E	F
IG-807-000-01	0°	*4 - 6	30	60	35	9	7	6
IG-807-000-02	90°	*4 - 6	60	60	35	9	7	6
IG-807-000-03	180°	*4 - 6	90	60	35	9	7	6
IG-807-000-04	360°	*4 - 6	90	90	35	9	7	6

Material AISI 316L

*For only Ø4mm and Ø6mm ropes

CORNER SPACER BAR WITH DISC

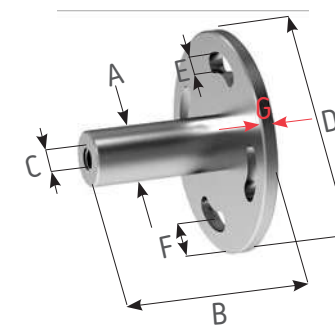


Part Number	Rope Ø mm	Distance from Wall	Dimensions in mm						
			A	B	C	D	E	F	G
IG-807-090-04	*4 - 6	90	30	90	98	120	M10	15	8
IG-807-120-04	*4 - 6	120	30	120	128	120	M10	15	8
IG-807-150-04	*4 - 6	150	30	150	158	120	M10	15	8

Material AISI 316L

*For only Ø4mm and Ø6mm ropes

CORNER SPACER BAR

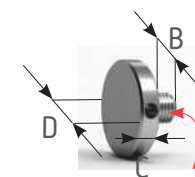


Part Number	Rope Ø mm	Distance from Wall	Dimensions in mm						
			A	B	C	D	E	F	G
IG-807-090-00	*4 - 6	90	30	87	M8	120	M10	15	8
IG-807-120-00	*4 - 6	120	30	117	M8	120	M10	15	8
IG-807-150-00	*4 - 6	150	30	147	M8	120	M10	15	8

Material AISI 316L

*For only Ø4mm and Ø6mm ropes

SPACER BAR SCREW

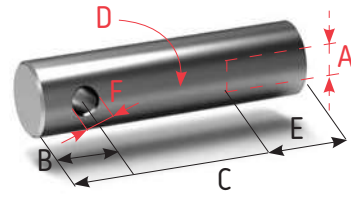


Part Number	Dimensions in mm			
	A	B	C	D
IG-804-020-01	M8	16	5	20
IG-804-025-01	M8	16	5	25
IG-804-030-01	M8	16	5	30
IG-804-030-02	M10	10	5	30
IG-804-020-02	M12	15	5	20
IG-804-025-02	M12	15	5	25
IG-804-030-03	M16	15	5	30

Material AISI 316L



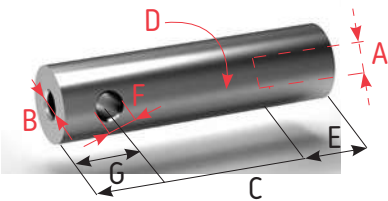
SPACER BAR



Part Number	Rope	Distance from Wall	Dimensions in mm					
	Ø mm		A	B	C	D	E	F
IG-817-090-00	*4 - 6	90	M8	15	100	20	20	8.5
IG-817-120-00	*4 - 6	120	M10	15	130	25	30	8.5
IG-817-150-00	*4 - 6	150	M10	15	160	25	30	8.5

Material AISI 316L

SPACER BAR WITH THREAD

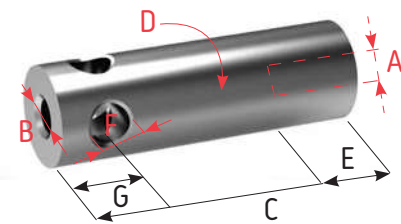


Part Number	Rope	Distance from Wall	Dimensions in mm						
	Ø mm		A	B	C	D	E	F	G
IG-801-090-00	*4 - 6	90	M8	M8	100	20	20	8.5	15
IG-801-120-00	*4 - 6	120	M10	M8	130	25	30	8.5	15
IG-801-150-00	*4 - 6	150	M10	M8	160	25	30	8.5	15

Material AISI 316L

*For only Ø4mm and Ø6mm ropes

CROSS SPACER BAR

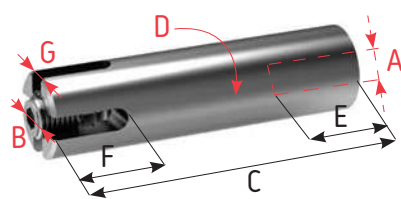


Part Number	Rope	Distance from Wall	Dimensions in mm						
	Ø mm		A	B	C	D	E	F	G
IG-802-090-00	*4 - 6	90	M12	M10	100	30	30	12	10
IG-802-120-00	*4 - 6	120	M12	M10	130	30	30	12	10
IG-802-150-00	*4 - 6	150	M12	M10	160	30	30	12	10

Material AISI 316L

*For only Ø4mm and Ø6mm ropes

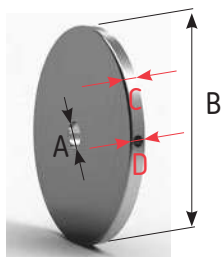
CROSS CLAMP SPACER BAR



Part Number	Rope	Distance from Wall	Dimensions in mm						
	Ø mm		A	B	C	D	E	F	G
IG-803-090-01	4 - 6	90	M8	M12	105	20	20	22	6.5
IG-803-120-01	4 - 6	120	M10	M12	135	25	30	22	6.5
IG-803-150-01	4 - 6	150	M10	M12	165	25	30	22	6.5
IG-803-120-02	6 - 8	120	M12	M16	141	30	30	30	8.5
IG-803-150-02	6 - 8	150	M12	M16	171	30	30	30	8.5

Material AISI 316L

COVER DISC WITH INTERNAL THREAD



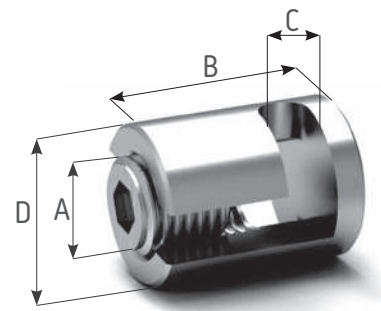
Part Number	Thread	Dimensions in mm			
	A	B	C	D	
IG-805-080-01	M8	80	5	3.5	
IG-805-080-02	M10	80	5	3.5	
IG-805-080-03	M12	80	5	3.5	

Material AISI 316L



EXTERNAL THREAD ROLL SWAGED FITTING

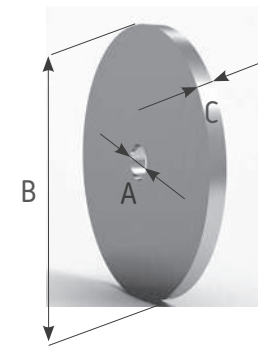
GREENERY ACCESSORIES



CROSS CLAMP ADJUSTABLE

Part Number	Rope Ø mm	Dimensions in mm			
		A	B	C	D
IG-808-004-00	4	M12	22	4,5	20
IG-808-006-00	6	M12	26	6,5	20
IG-808-008-00	8	M12	32	8,5	20

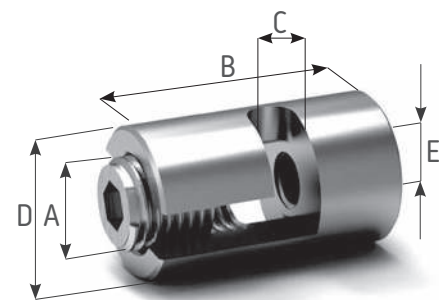
Material AISI 316 L



COVER DISC

Part Number	Dimensions in mm		
	A	B	C
IG-806-060-01	10,5	60	5
IG-806-060-02	12,5	60	5
IG-806-080-01	10,5	80	5
IG-806-080-02	12,5	80	5

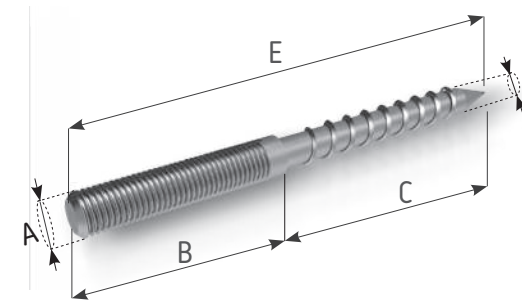
Material AISI 316 L



CROSS CLAMP WITH INTERNAL THREAD ADJUSTABLE

Part Number	Rope Ø mm	Dimensions in mm				
		A	B	C	D	E
IG-809-004-00	4	M12	30	4,5	20	M8
IG-809-006-00	6	M12	34	6,5	20	M8
IG-809-008-00	8	M12	40	8,5	20	M8

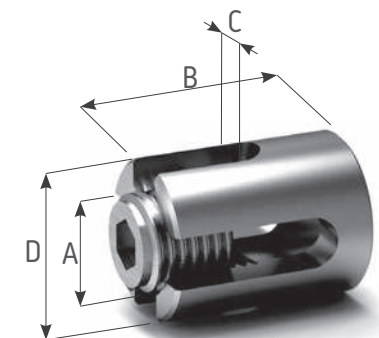
Material AISI 316 L



DUAL THREAD SCREW

Part Number Right threaded	Part Number Left threaded	Thread A	Dimensions in mm			
			B	C	D	E
917-008-00	918-008-00	M8	40	60	6,9	100
917-010-00	-	M10	30	40	8,9	70

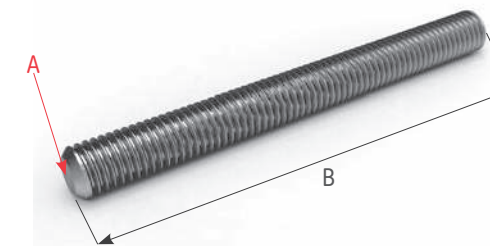
Material AISI 316



CROSS CLAMP 90°

Part Number	Rope Ø mm	Dimensions in mm			
		A	B	C	D
IG-810-004-00	4	M12	22	4,5	20
IG-810-006-00	6	M12	26	6,5	20
IG-810-008-00	8	M16	27	8,5	30

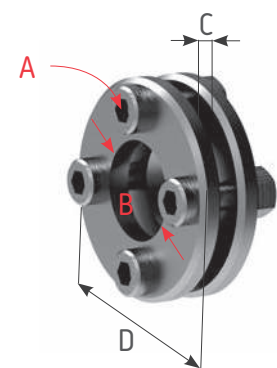
Material AISI 316 L



THREADED ROD

Part Number Right threaded	Part Number Left threaded	Thread A	Dimensions in mm
			B
919-008-0100-00	919-008-0100-01	M8	100
919-008-0200-00	919-008-0200-01	M8	200
919-010-0100-00	919-010-0100-01	M10	100
919-010-0200-00	919-010-0200-01	M10	200
919-012-0100-00	919-012-0100-01	M12	100
919-012-0200-00	919-012-0200-01	M12	200

Material AISI 316

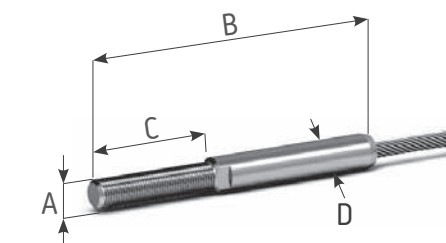


CROSS CLAMP 0-180°

Part Number	Rope Ø mm	Dimensions in mm			
		A	B	C	D
IG-811-040-00	*4 - 6	M5	18	4	40

Material AISI 316 L

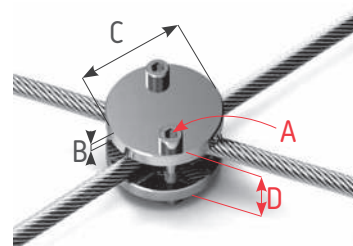
*For only Ø4mm and Ø6mm ropes



EXTERNAL THREAD ROLL SWAGED FITTING

Part Number Right threaded	Part Number Left threaded	Set Number	Rope Ø mm	Dimensions in mm			
				A	B	C	D
IRG-150-004-00	IRG-150-004-01	IRS-120-004-00	4	M6	75	35	7,5
IRG-150-006-00	IRG-150-006-01	IRS-120-006-00	6	M8	109	45	12,5
IRG-150-008-00	IRG-150-008-01	IRS-120-008-00	8	M12	144	60	16

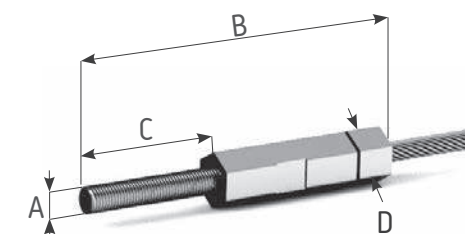
Material AISI 316 L



CROSS CLAMP

Part Number	Rope Ø mm	Dimensions in mm			
		A	B	C	D
IR-530-004-06	4-6	M4	5	35	18/22
IR-530-008-12	8-12	M6	8	45	32/40

Material AISI 316



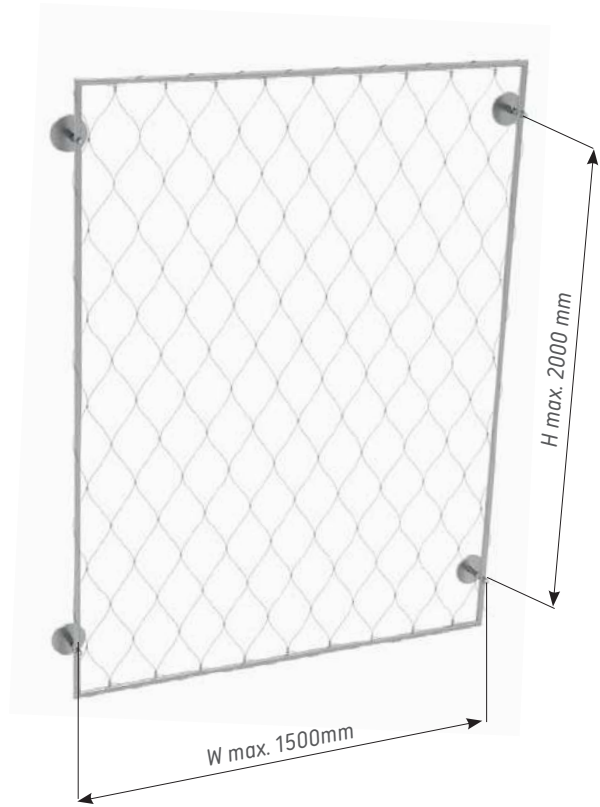
EXTERNAL THREAD SWAGELESS CONNECTION

Part Number Right threaded	Part Number Left threaded	Set Number	Rope Ø mm	Dimensions in mm			
				A	B	C	D
IR-170-004-00	IR-170-004-01	IRS-140-004-00	4	M6	110	60	13
IR-170-006-00	IR-170-006-01	IRS-140-006-00	6	M8	115	60	15
IR-170-008-00	IR-170-008-01	IRS-140-008-00	8	M10	160	80	19

Material AISI 316 L

GREENERY SYSTEM INSTALLATION EXAMPLES

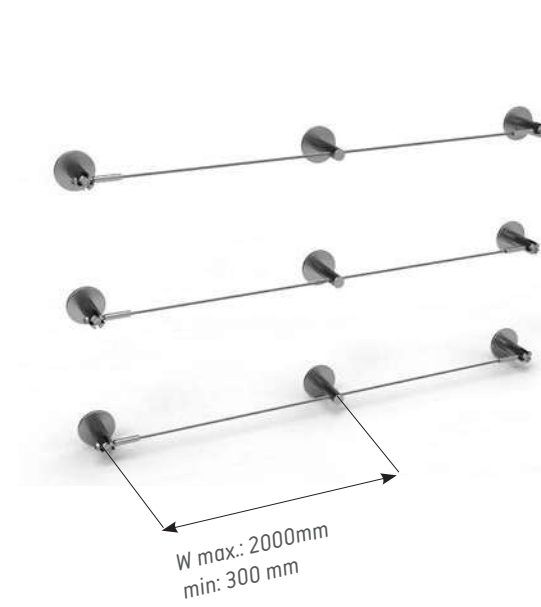
System 1
I-NET Frame System



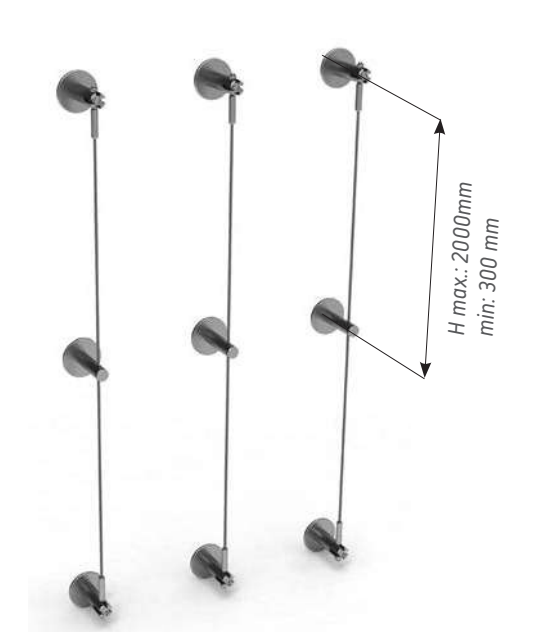
System 2
I-NET Frame System with I-ROPE



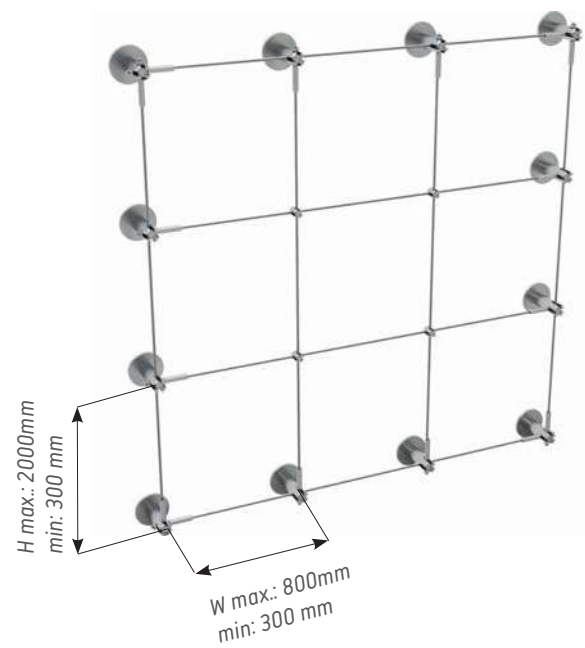
System 5
I-ROPE Horizontal System



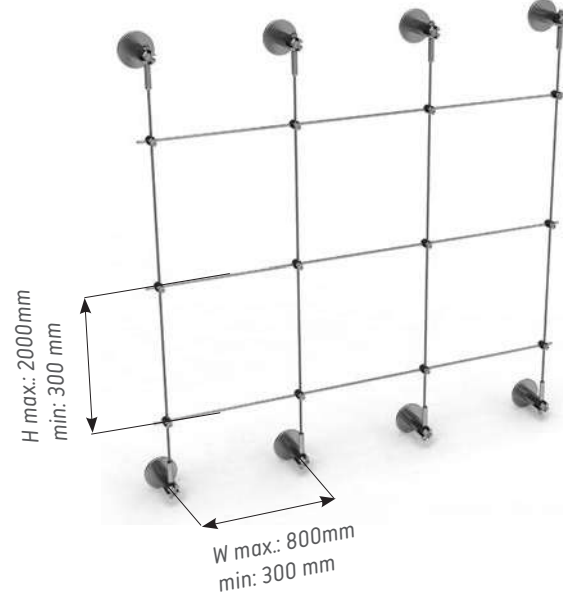
System 6
I-ROPE Vertical System



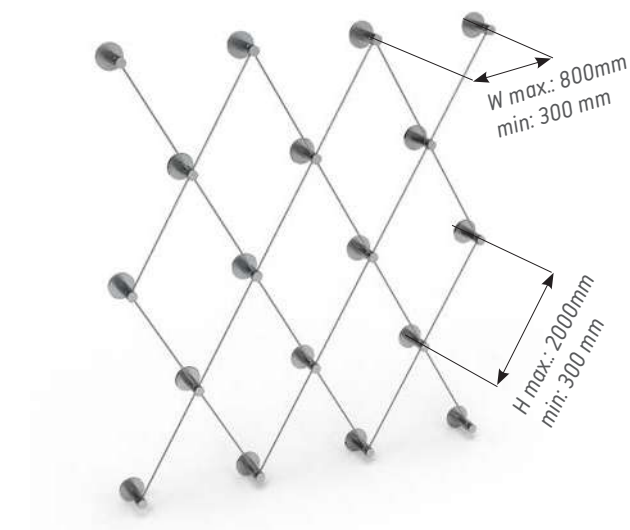
System 3
I-ROPE Grid System 1



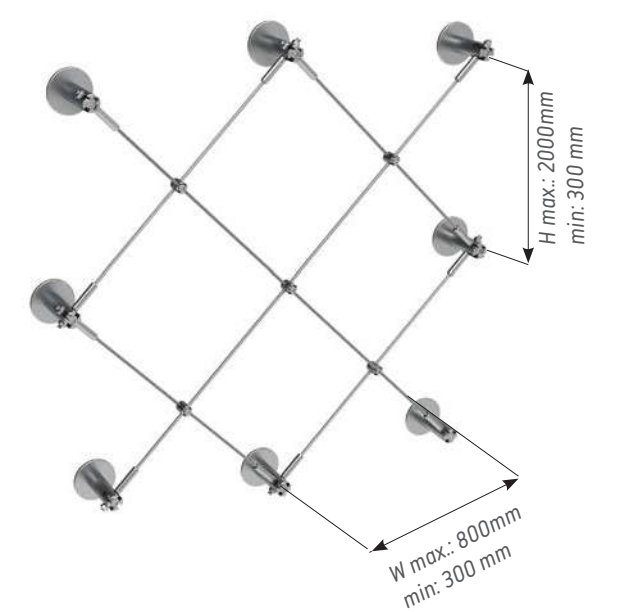
System 4
I-ROPE Grid System 2



System 7
I-ROPE Diagonal System 1



System 8
I-ROPE Diagonal System 2



INSTALLATION ACCESSORIES AND EQUIPMENTS

Fixing components

CONCRETE ANCHOR



Part Number	Thread	Length (mm)
922-006-00	M6	65
922-008-00	M8	70
922-010-00	M10	83
922-012-00	M12	100

Material AISI 316

AERATED CONCRETE ANCHOR



Part Number	Thread	Length (mm)
923-006-00	M6	70
923-008-00	M8	70
923-010-00	M10	70

Material AISI 316

ANCHOR SYSTEM FOR CONCRETE



Part Number	Dimension	Length (mm)	Description
921-006-00	M6	60	including M6 threaded rod, hexagon nut and washer
921-008-00	M8	80	including M8 threaded rod, hexagon nut and washer
921-010-00	M10	100	including M10 threaded rod, hexagon nut and washer
921-012-00	M12	120	including M12 threaded rod, hexagon nut and washer
951-100-01	300ml		HIT-1 / HIT-1 CE / Adhesive anchor injection mortar
952-170-01	330ml		HIT- HY 170 / Adhesive anchor injection mortar

ANCHOR SYSTEM FOR MASONRY



Part Number	Dimension	Description
924-016-50	16 x 50	HIT-SC / 16 x 50mm mesh sleeve
924-016-85	16 x 85	HIT-SC / 16 x 85mm mesh sleeve
953-270-00	330ml	HIT- HY 270 / Adhesive anchor injection mortar for masonry
950-000-01		HDM / Manual Dispenser gun
950-000-02		HR-RE / Mixing nozzle



THERMO ANCHOR WITH PERFORATED SLEEVE



Part Number	Dimensions in mm				
	A	B	C	D	E
925-010-330	M10	330	150	170	15
925-012-330	M12	330	150	170	15
925-010-370	M10	370	150	210	15
925-012-370	M12	370	150	210	15



Part Number	Description
954-330-00	HIT-MM Plus 330/2 Adhesive anchor injection mortar
955-275-00	HFX 275/2 Adhesive anchor injection mortar



THREAD LOCK FLUID

Part Number	Dimension	Description
956-243-10	10ml	Loctite 243 for locking and sealing the thread fasteners service temperature -55°C to 150 °C
956-243-50	50ml	

SCREW FOR WOOD



Part Number	Thread	Length (mm)
916-006-00	M6	25
916-008-00	M8	30
916-010-00	M10	40

PLASTIC TIES



Part Number	Dimensions (mm)
INT-601-160	4,5x160
INT-601-300	4,5x300

PLASTIC ENDCAP



Part Number	Rope Dia (mm)
INT-602-004	4
INT-602-006	6

Tools and Equipments



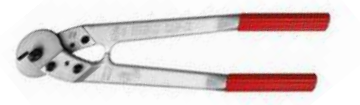
PLIER WRENCH

Part Number	Rope Dia (in mm)	Dimensions (mm)	Weight (in gr)
INT-080-250	1.5, 2, 3	250 x 75 x 28	525



CABLE CUTTER

Part Number	Rope Dia (in mm)	Dimensions (mm)	Weight (in gr)
INT-740-012	1 to 4	200 x 47 x 15	263



CABLE CUTTER

Part Number	Rope Dia (in mm)	Dimensions (mm)	Weight (in gr)
INT-760-012	4 to 12	-	1500



DREMEL

Part Number	Rope Dia (in mm)	Dimensions (mm)	Weight (in gr)
INT-300-225	All	191 x 64 x 51	2070



MANUAL CRIMPING TOOL

Part Number	Rope Dia (in mm)	Dimensions (mm)	Weight (in gr)
INT-975-206	1,5 and 2	250 x 70 x 25	565



MANUAL CRIMPING TOOL DIES

Part Number	Rope Dia (in mm)	Dimensions (mm)	Weight (in gr)
INT-975-015-00	1,5	30 x 14 x 9	17
INT-975-020-00	2	30 x 14 x 9	17



HYDROLIC CRIMPING TOOL

Part Number	Rope Dia (in mm)	Dimensions (mm)	Weight (in gr)
INT-976-175	1.5, 2, 3	-	3000

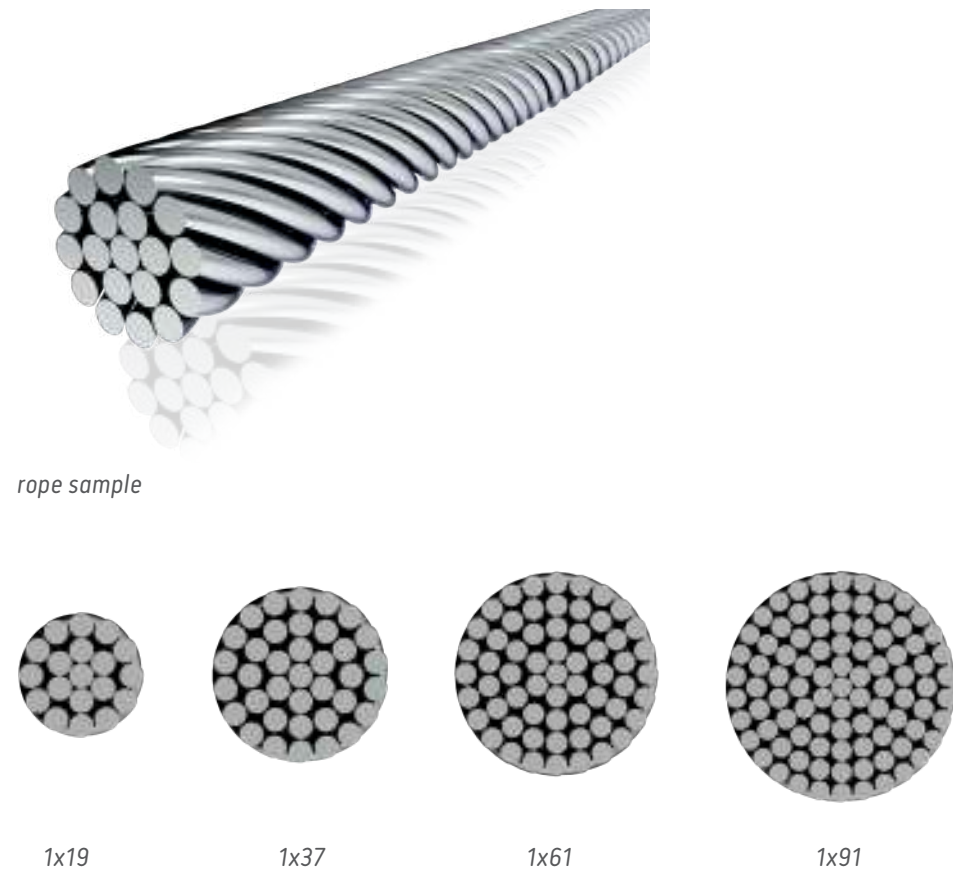
HYDROLIC CRIMPING DIES

Part Number	Rope Dia (in mm)	Description	Dimensions (mm)	Weight (in gr)
INT-976-015-01	1,5	for I-NET ferrules	42 x 22	235
INT-976-020-01	2	for I-NET ferrules	42 x 22	235
INT-976-030-01	3	for I-NET ferrules	42 x 22	235
INT-976-015-02	1,5	for I-NET eyelets	42 x 22	235
INT-976-020-02	2	for I-NET eyelets	42 x 22	235
INT-976-030-02	3	for I-NET eyelets	42 x 22	235
INT-976-040-03	4	for I-ROPE fittings	42 x 22	235
INT-976-060-03	6	for I-ROPE fittings	42 x 22	235
INT-976-080-03	8	for I-ROPE fittings	42 x 22	235



CHARACTERISTICS OF WIRE ROPES

Explanation and Application of Wire Ropes



rope sample

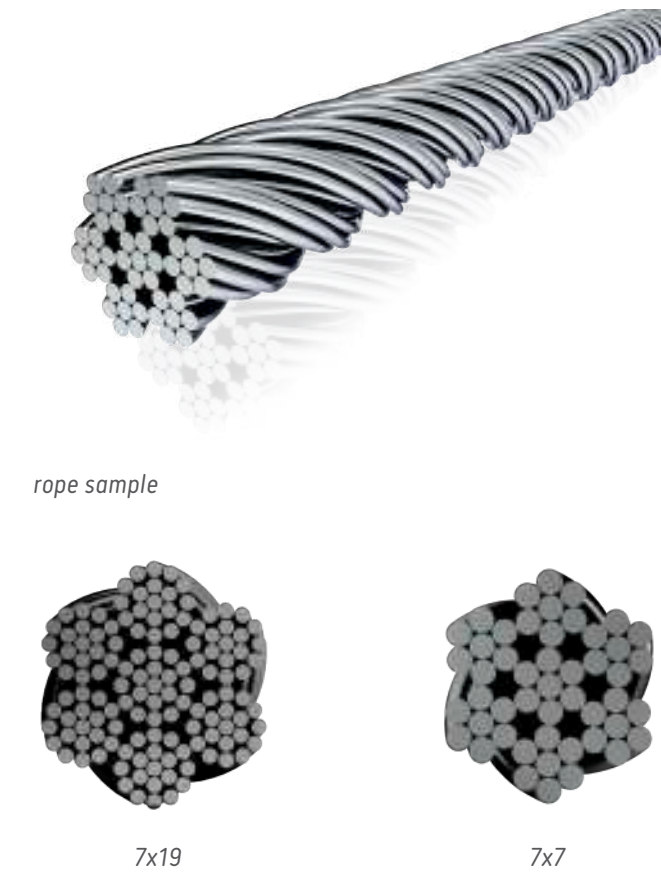
1x19

1x37

1x61

1x91

Type of Wire Rope	Explanation
Spiral Ropes	<p>Consist of several layers of individual round wires. They are manufactured from stainless steel wire. If a open spiral rope forms part of a strand rope, it is called "strand". The designation of the various types of wire rope constructions depends on the number of wires in the rope cross section.</p>
Type of Wire Rope	Applications
Spiral Ropes	<p>Carrier cables for lightweight membran structures, Carrier/tensioning cables in cable nets, Carrier cables for light suspension bridges, Hanger cables for suspension bridges, Balustrade cables for suspension bridges, Bottom flange cables for load-bearing structures.</p>



rope sample

7x19

7x7

Type of Wire Rope	Explanation
Strand Ropes	<p>Wire ropes consist of a number of strands twisted together. This construction makes them very flexible. The code for this type of wire depends on the number of strands and the number of wires per strand.</p>
Type of Wire Rope	Applications
Strand Ropes	<p>Tensioning cables for lightweight membran structures, Hanger cables for suspension bridges, Balustrade cables for bridges, Bottom flange cables for load-bearing structures, Cross-bracing structures.</p>

Technical Information About Wire Ropes

SPIRAL / STRAND ROPE DIN EN 12385-10

Material : Stainless steel wire 1.4401 (AISI 316) to DIN EN 10264-4

Modulus of Elasticity : 130 kN/mm² ± 10 kN/mm²

Tolerance on Diameter : 0% / +3%

Socketing : D= 4-40mm Swaging

Rope Ø mm	Minimum Breaking Force F _{min} [kN]	Charact. Breaking Force F _{uk} (1) [kN]	Tension Strength FRd (2) [kN]	Metallic Cross Section A [mm ²]	Stiffness EA [MN]	Weight [kg/m]
4	13	11.8	7.2	10	1.28	0.1
6	27	24.3	14.7	22	2.86	0.2
8	49	44.1	26.7	39	5.07	0.3
10	76	68.4	41.5	60.7	7.9	0.5
12	110	99	60	88	11.4	0.7
14	149	134.1	81.3	120	15.5	1
16	206	185.4	112.4	154	20.1	1.3
18	261	234.9	142.4	197	25.6	1.6
20	322	289.8	175.6	244	31.7	2
22	389	350.1	212.2	293	38.1	2.4
24	463	416.7	252.5	350	45.5	2.9
26	544	489.6	296.7	410	53.3	3.4
28	629	566.1	343.1	474	61.6	3.9
30	724	651.6	394.9	545	70.8	4.5
32	824	741.6	449.5	618	80.4	5.1
34	929	836.1	506.7	701	91.1	5.8
36	1042	937.8	568.4	784	102	6.5
38	1086	977.4	592.4	838	109	6.9
40	1198	1078.2	653.5	929	121	7.7

F_{min}: Minimum Breaking Force.

F_{uk}: Breaking Strength of Wire Ropes Inc. End Connectors.

FRd: Limit Tension Resistance of the Wire Ropes Inc. End Connectors.

ke: Loss Factor.

$F_{uk} = F_{min} \times k_e$

$FRd = (F_{min} \times k_e) / 1,65$

$k_e = 0,9$ (swaged fitting)



OVERVIEW OF STAINLESS STEEL

Material

Stainless steel is an iron-based alloy which contains 10,5% chromium. This element keeps it self stain proof by creating a chromium-oxide layer on the surface of the material.

316 is a type of austenitic stainless steel which is a popular grade as 304 with a higher corrosion resistance.

Different to 304 it contains Molybdenum and higher Nickel as well as Chromium contents. Since inox-net® products are used widely in outer weather conditions, inox-net® prefers 316 grade because of its better resistance to chemicals and chlorides (like salt). 316L has a better corrosion resistance and welding behaviour containing less Carbon. 316Ti has a better corrosion resistance compared to 316L with its Titanium content and higher friction resistance.

On the other hand Duplex stainless steel has both better corrosion and mechanical properties than 316L and 316Ti. This inox-net® prefers duplex stainless steel for the individual properties requested by special projects.

MATERIAL GROUPS

	EN 10088-3	AISI	Cmax.	Cr	Ni	Div	Type
AISI 316 group	1.4401	X5CrNiMo17-12-2	316	0.07	18	10	Austenitic
	1.4404	X2CrNiMo17-12-2	316L	0.03	17	11	Mo Austenitic
	1.4408	GXCrNiMo19-11-2		0.07	19	10	Austenitic
	1.4435	X2CrNiMo18-14-3	316L	0.03	18	12	Austenitic
	1.4571	X6CrNiMoTi17-12-2	316Ti	0.1	18	10	Ti Austenitic
Duplex group	1.4462	X2CrNiMoN22-5-3	2205	0.03	21-23	4,5-6,5	Mo Austenitic-Ferritic
	1.4410	X2CrNiMoN25-7-4	2507	0.03	24-26	6-8	Mo Austenitic-Ferritic
Designation	European	USA	Carbon	Chromium	Nickel	Ti = Titanium	
	Standard	Standard				Mo = Molybdenum	

CRITERIA OF DIFFERENTIATION AISI 316 / DUPLEX

	AISI 316	Duplex
Material Number	1.4401 1.4404	1.4462
	1.4408 1.4435	1.4410
	1.4436 1.4571	
Properties	weather-proof	weather-proof
	highly acid-resistant	highly acid and corrosion resistant highly resistant to aqueous environment and seawater higher mechanical properties



Corrosion

Although stainless steel is resistant to corrosion by its self-passivation mechanism rust may occur in some situations.

Some reasons of rust;

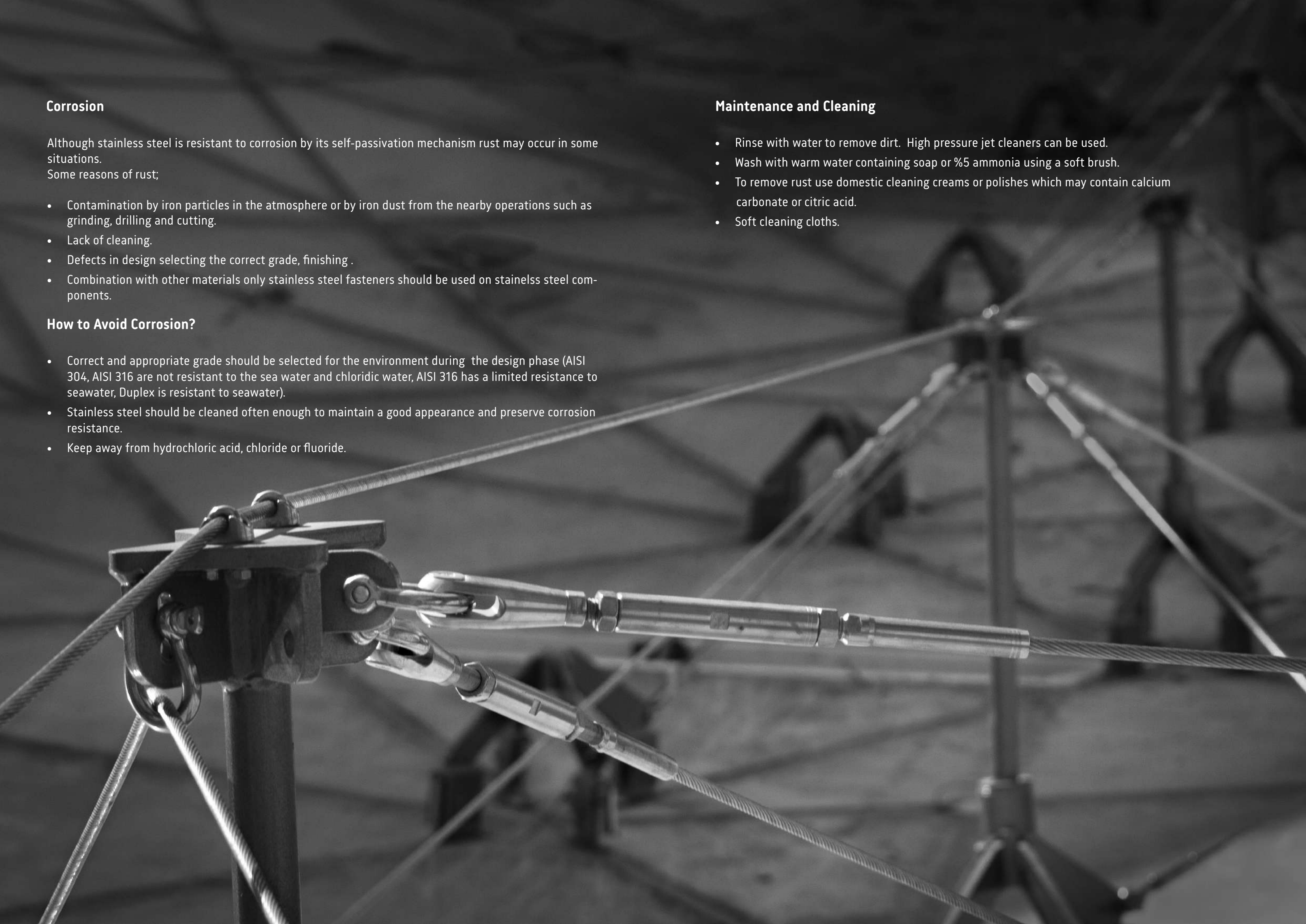
- Contamination by iron particles in the atmosphere or by iron dust from the nearby operations such as grinding, drilling and cutting.
- Lack of cleaning.
- Defects in design selecting the correct grade, finishing .
- Combination with other materials only stainless steel fasteners should be used on stainless steel components.

How to Avoid Corrosion?

- Correct and appropriate grade should be selected for the environment during the design phase (AISI 304, AISI 316 are not resistant to the sea water and chloridic water, AISI 316 has a limited resistance to seawater, Duplex is resistant to seawater).
- Stainless steel should be cleaned often enough to maintain a good appearance and preserve corrosion resistance.
- Keep away from hydrochloric acid, chloride or fluoride.

Maintenance and Cleaning

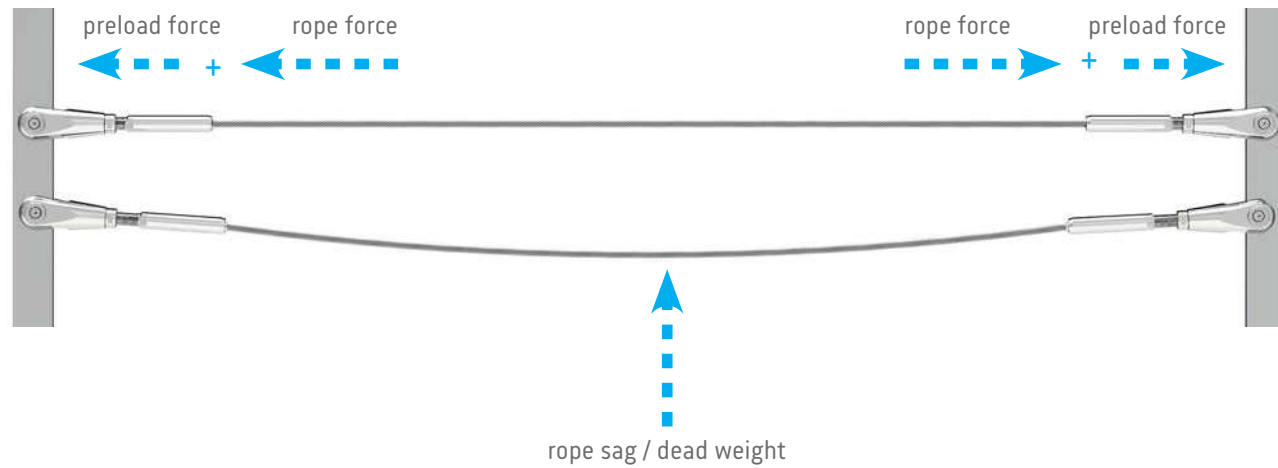
- Rinse with water to remove dirt. High pressure jet cleaners can be used.
- Wash with warm water containing soap or %5 ammonia using a soft brush.
- To remove rust use domestic cleaning creams or polishes which may contain calcium carbonate or citric acid.
- Soft cleaning cloths.



TECHNICAL TIPS

Rope Forces and Tensioning

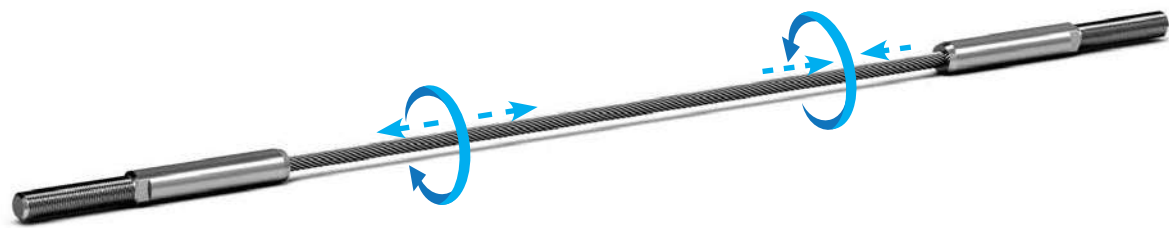
To make up an effective total, rope force and preload force should be applied as a combination. The ropes are held by means of fittings such as end stops and nuts. The length of the rope can be adjusted by the help of this joints.



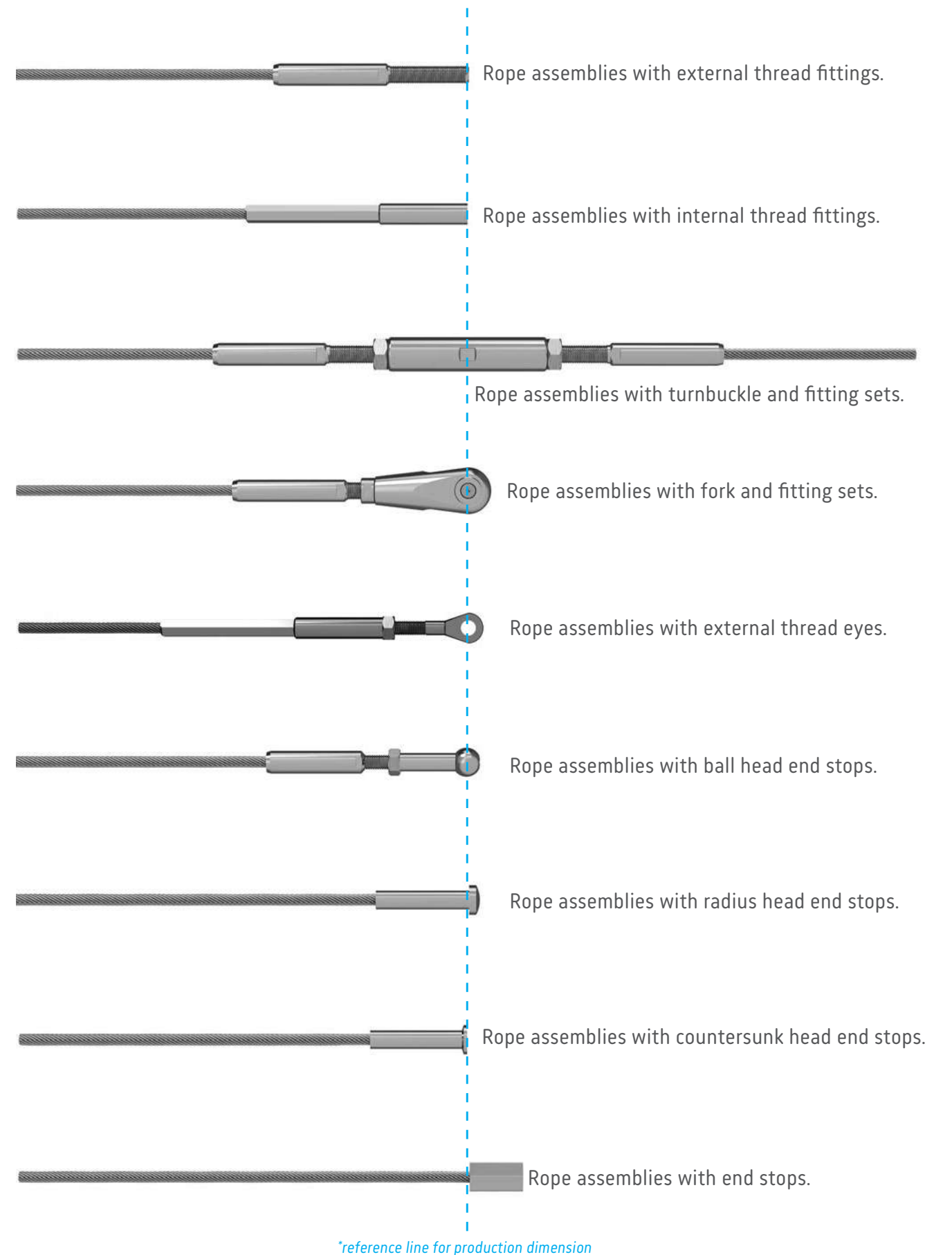
Tightening and Loosening Description of Rope System

Right Hand / Left Hand Thread

Where it is not possible to tension the rope from outside then a rope configuration with right hand /left hand thread should be used. The tensioning and releasing is effected by turning the entire rope. Both side right or both side left hand thread is used where the rope can be tensioned from outside.



ASSEMBLY LENGTHS



QUALITY CERTIFICATES AND PERFORMANCE TESTS

We are committed of the critical importance of material, system, and management quality in every stage of production. To ensure the highest standards, we carry out all necessary tests and procedures, systematically completing each step to guarantee the safety, durability, and performance of our products. Our commitment to continuous improvement ensures that every product we offer meets rigorous quality requirements, providing reliability in both architectural and industrial applications.

Currently hold certificates;

ISO 9001:2015

ISO 14001:2015

ISO 45001:2018

EN 1090-1:2009+A1:2011 system 2+

Our products undergo extensive performance testing, including,

Drop Tests, for Safety Nets, according to EN 1263-1:2002-07

Pendulum tests, for balustrade infills, according to EN 12600:2003-04

Tensile strength tests, for wire ropes, according to EN 12385-1:2009-01 / EN 10264-4:2002-11

Corrosion tests according to EN ISO 12944-2-1998-07 / EN ISO 12944-6-1998-07



OUR GOALS

As inoxnet® we have recently begun establishing new services in Turkey, however our factory and office goals are:

- Our goals as a company is to introduce our products within Turkey and the world. To provide our best services putting our product quality in the forefront while always ensuring customer satisfaction.
- Being the preferred company due to its professional management, which delivers absolute quality both at home and abroad,
- Being the first choice company by creating a working environment where employees are happily working as a member of the inoxnet® family.
- To demonstrate our quality all over the world, to increase our reputation and to expand our core competencies and competitiveness while competing,
- To continuously improve our research and development activities for a portfolio containing economic, high-quality and innovative products.

İNOKSNET YAPI SİSTEMLERİ SAN. DIŞ. TİC. A.Ş.

Head Office

Rüzgarlıbahçe Mah. Özalp Çıkmaı Sokak 2/10 K Plaza 4.th Floor
34805 Kavacık-Beykoz / İstanbul / TÜRKİYE
Tel: +90 216 425 03 25

Factory

Ferhatpaşa SB Mahallesi, Ali Rıza Efendi Cad. Blok 17
İç Kapı No: 201 Çatalca / İstanbul / TÜRKİYE

e-mail: info@inox-net.com
www.inox-net.com

